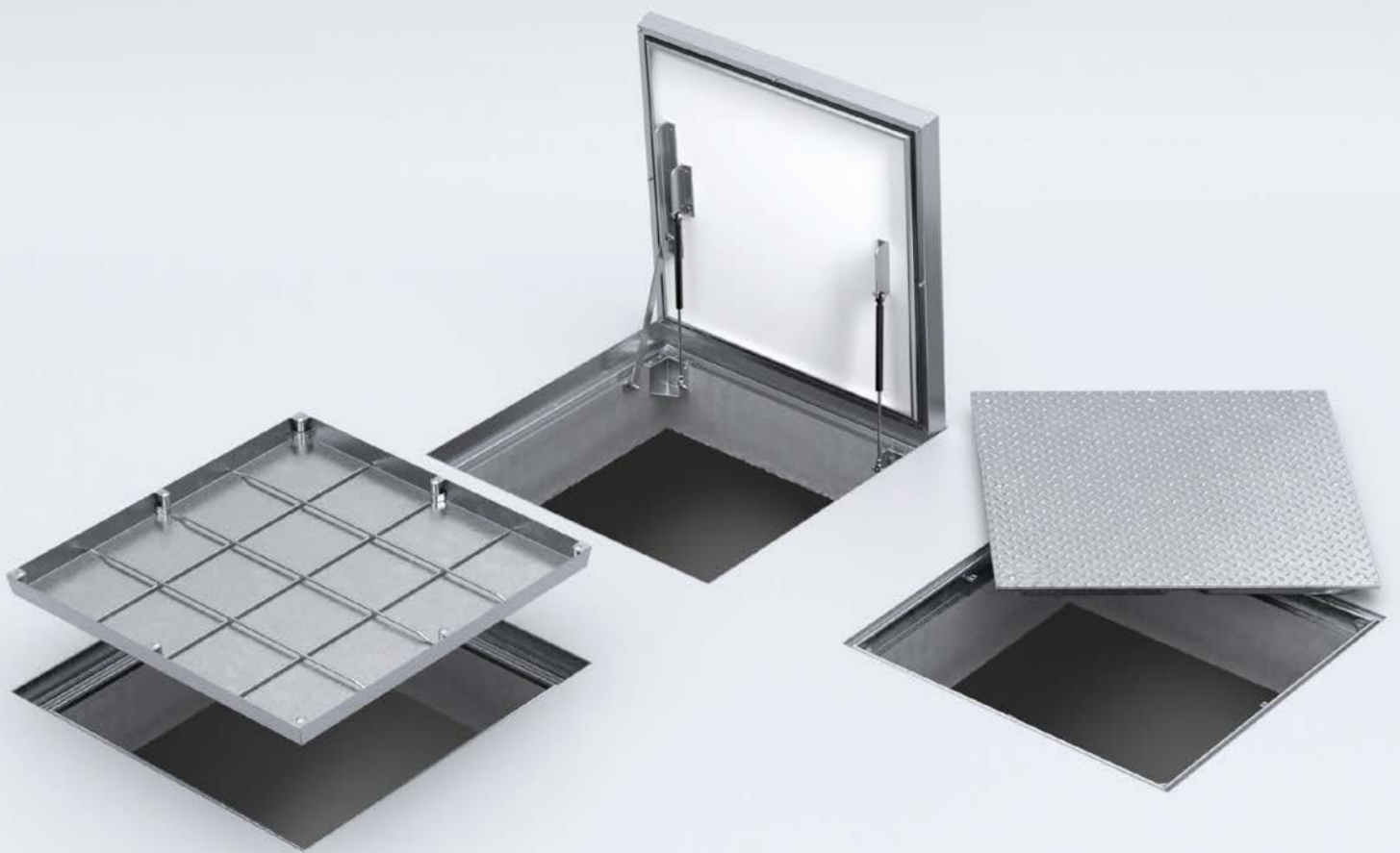


# HAGO

YOUR BEST DECISION: OUR QUALITY



[www.hago.at](http://www.hago.at)

**HAGO DECK**  
ACCESS COVERS

Type	Seite
BVA Alu	6
BVA-SL slim Alu	7
Composite	8
CLA composite light aluminium	10
CLA-SL slim composite light Alu	11
CCA composite comfort Alu	12
CCA-GD composite comfort Alu	13
BV steel	14
BVE stainless steel	15
BV-shallow steel/BVE-shallow stainless steel	16
HAGOlifter HL	17
BVS-250 steel/BVES-250 stainless steel	18
BVS-400 steel/BVES-400 stainless steel	19
BV-GD automatic steel/BVE-GD automatic stainless steel	20
BV-GDZ automatic steel/BVE-GDZ automatic stainless steel	21
BVH-maxi steel/BVEH-maxi stainless steel	24
BVH-GD maxi steel/ BVEH-GD maxi stainless steel	25
BVHS-GD 400 steel/BVEHS-GD 400 stainless steel	26
BVHS 250 steel/BVEHS 250 stainless steel	29
BVHS 400 steel/BVEHS 400 stainless steel	30
BVXH steel/BVEXH stainless steel	31
BVXHS 250 steel/BVEXHS 250 stainless steel	32
BVXHS 400 steel/BVEXHS 400 stainless steel	33
RV steel/RVE stainless steel	34
RVS 125/250/400 steel/RVES 125/250/400 stainless steel	35
BR-D steel/RG steel	36
RVA Alu	37
CRVA Alu	38
RV-GD steel/RVE-GD stainless steel	39
BV-F90 steel/BVE-F90 stainless steel	40
BVA-F90 Alu	41
BV-GD-F90 steel/BVE-GD-F90 stainless steel	42
BV Thermo steel/BVE Thermo stainless steel	43
BVA Thermo Alu	44
Multi-part cover BV-RA steel / multi-part cover BVE-RA stainless steel	45
Multi-part cover BVA-RA Alu	46
Multi-part cover RVA-RA Alu	48
Multi-part cover RV-RA steel/ multi-part cover RVE-RA stainless steel	49
FAQs	50

**HAGO - YOUR RELIABLE PARTNER**

Established in 1972 HAGO has been a family business with reliable values and principles. We successfully deal with the development, production and sale of our high quality state of the art construction products. Today HAGO, with its HAGODECK access covers, is one of the leading producers world wide.

**OUR AIM IS YOUR SATISFACTION**

We offer a high level of specialist skills, maximum product benefits, an ongoing quality control system and reliable delivery dates. And should you ever have a complaint it will be dealt with competently and quickly.



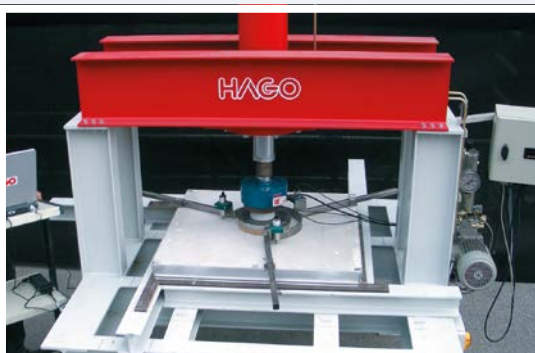
**THE GOLDEN KEY:**

The **HAGO** advantage. This key is worth its weight in gold. Why? The first pull is the problem. You will be used to this if you have ever had rusted screws. With just one twist of the Golden Key, the first pull is effortless. Both installation staff (when first opening) and the subsequent user will really appreciate this feature. (Photo: Golden Key Lift-Off system)



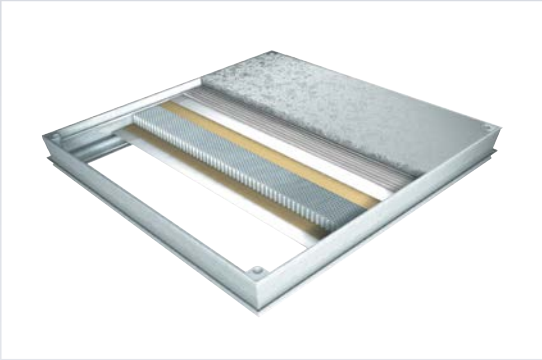
**TEST LOAD / LOAD CAPACITY:**

Our test certificates from a well known, state-licensed testing and inspection authorities your peace of mind. We guarantee that our standard covers, when completely filled with C 35/45 concrete (European Standard EN 206-1) will achieve the specified test load. If a tiled finish or similar is used, the test loading will decrease. For covers with a recess  $\geq 10$  cm the full test load is achieved with a layer of min 5 cm concrete.



**OUR OWN MONITORING:**

As part of product development and quality assurance, **HAGO** carries out load-bearing capacity tests with our own testing facility. We can thus guarantee optimal product features for all our serial products. (Photo: 125 kN EN 124 load-capacity test of a **HAGODECK** BVA 88)



**TOP INNOVATIONS:**

HAGODECK COMPOSITE: The modern, patented access cover. Composite aluminium honeycomb and adhesive technology, as used in aircraft construction, make no concrete filling necessary. No concrete weight and no concrete drying time are benefits of this technology.



**PRECISION-MADE:**

Our covers are manufactured to great accuracy. We base our designs on EN Standard 22768-1 "Tolerance for length and corner dimensions" and the EN ISO 13920 for welded constructions.



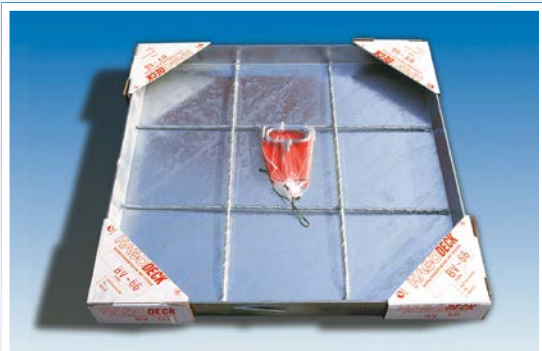
**FIRE PROTECTION:**

An official fire-test by the IBS in Linz, Austria, confirms that fire cannot pass through our F90 cover.



**STOCK:**

We keep large stocks of all standard HAGODECK covers permanently available for you at our Wels warehouse, at our Vienna branch and at our dealers.



**PACKAGING AND PRODUCT LABELLING:**

Our standard covers are packed with specially designed cardboard corners for protection. These provide optimal protection during transport, and the minimum use of cardboard is environmentally sound.

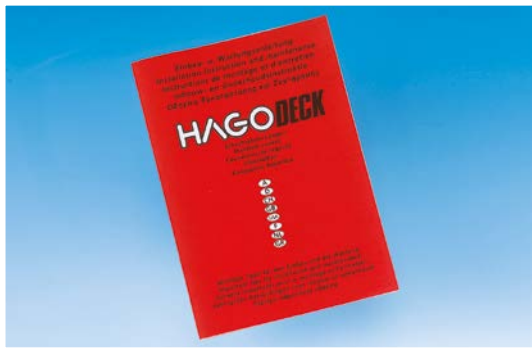
These cardboard corners are printed with the size and type of cover clearly visible, simplifying stock-control in the warehouse, at the dealer's or on site.



**HAGO CORNERS:**

Our corner system is a simple, attractive interface between the lifting point and the floor finish.

They are exceptionally small and aesthetically pleasing to architects and designers, with minimum disturbance to the appearance of the floor finish. In the industry today, installers throughout Europe consider the discreet HAGO logo a sign of quality in covers.



**INSTALLATION INSTRUCTIONS:**

The instructions are distinctly coloured and hard to miss. The instructions are also very brief, so even those who normally wouldn't bother to read them are not deterred. Definitely worth a read - there are lots of useful tips for trouble-free installation.



**OPENING TOOLS:**

Every HAGODECK access cover comes with a complete set of opening tools. No need to order or pay for this separately. The tool set is firmly tied (with cable ties) to the cover to minimise loss in transit.



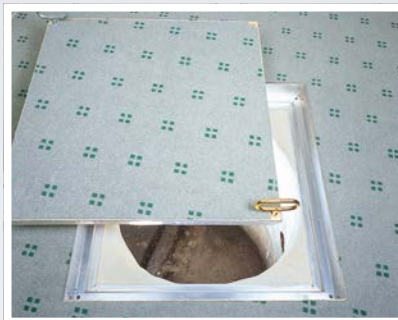
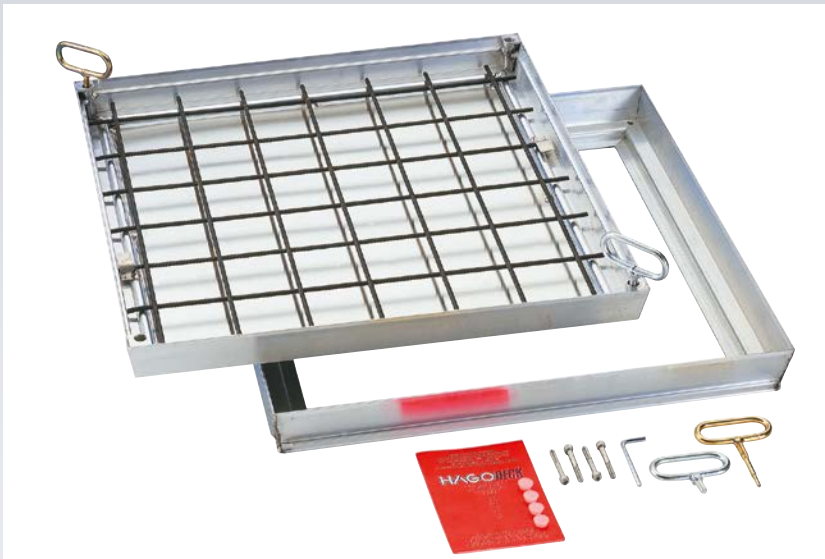
**GAS LIFT-STRUTS:**

Covers which feature assisted opening are equipped with particularly high-specification gas struts. Our standard gas struts (1) are also extremely rugged and durable. For extra-heavy covers we use patented double-piston gas struts (2). These enable the covers to be lifted comfortably, despite being heavy.

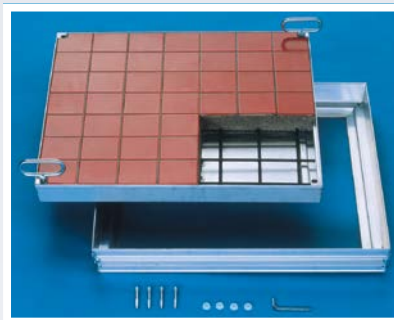


**CROSS-BEAM SYSTEM:**

The patented HAGO cross beam system is the optimum basis for our multi-part access covers. The cross-beams are removable without tools enabling a stable and largely watertight installation.



**BVA**  
installed in an office (over a manhole), in a carpeted area



**BVA**  
partially filled with tiles

Load capacity: 125 kN test load EN 124

**Material:** Frame and cover sections in extruded aluminium. Stainless steel screws.

**Features:** Sealed access cover in high-quality finish. Very attractive surface, the visible edges are particularly attractive. Therefore these covers are particularly suitable where a look of elegance is required. Very easy-to-open design. Robust corner joints guarantee a very high degree of rigidity and make it easier to lay tiles and ceramic finishes. EPDM seal. The cover is reinforced with a clamped steel mesh reinforcement.

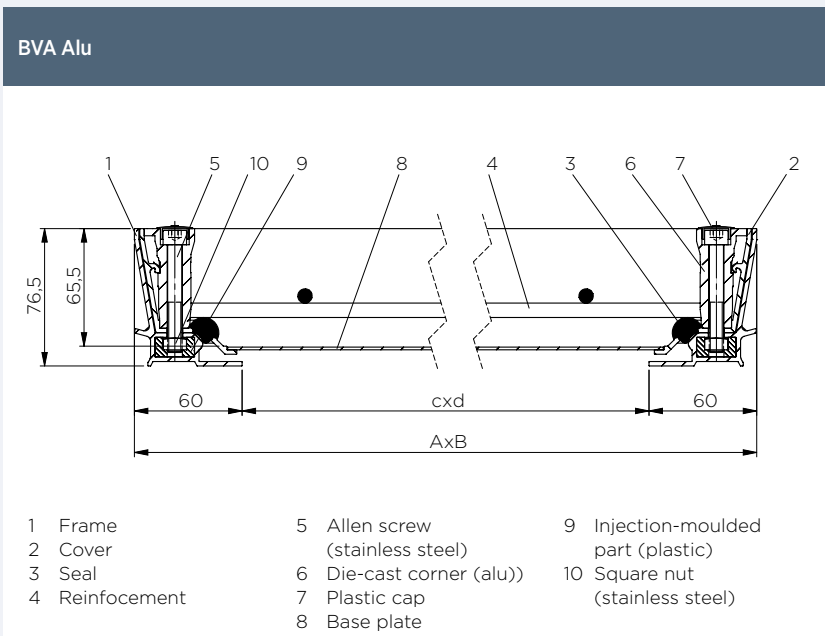
**The Lift-Off opening system:** Every HAGODECK Type BVA alu cover comes with a set of lifting keys and precise installation instructions.

**The HAGO advantage:** jammed covers are released by simply turning the Golden Key.

**Applications:** Inside buildings where it is important to obtain a nice visual effect. Also, in places where floor finishes may need polishing after fixing or where particular attention needs to be given to corrosion resistance.

**Installation:** Installation must be carried out according to our instructions. With water-tight models, care must be taken to seal the outer frame into the surrounding flooring and to fill the cover with water-tight concrete.

**Specification clause:** [www.hago.at](http://www.hago.at)



Type	Clear dimensions of shaft (≈ cm)	Outside dimensions (≈ cm)	Weight empty approx.	S / O*
	c x d	A x B		
BVA 22	20 x 20	32 x 32	3 kg	S
BVA 33	30 x 30	42 x 42	5 kg	S
BVA 44	40 x 40	52 x 52	7 kg	S
BVA 45	45 x 45	57 x 57	8 kg	S
BVA 55	50 x 50	62 x 62	9 kg	S
BVA 64	60 x 40	72 x 52	9 kg	S
BVA 66	60 x 60	72 x 72	10 kg	S
BVA 635	63,5 x 63,5	75,5 x 75,5	11 kg	S
BVA 77	70 x 70	82 x 82	12 kg	S
BVA 86	80 x 60	92 x 72	12 kg	S
BVA 88	80 x 80	92 x 92	15 kg	S
BVA 106	100 x 60	112 x 72	15 kg	S
BVA 108	100 x 80	112 x 92	21 kg	S
BVA 110	100 x 100	112 x 112	23 kg	S

Cover depth = 6.6 cm

Installation height ≈ 7.6 cm

Special sizes possible

\*S = available from stock

\*O = to order



**Load capacity:** 15 kN test load EN 124

**Material:** Frame and cover sections in extruded aluminium. Stainless steel screws.

**Features:** Odour and waterproof access cover in high-quality finish. Only 5 cm installation depth. Particularly suitable for situations where greater installation depths are not possible. The shallow trough results in a weight reduction when filled – so less effort is required to lift the cover. An unrestricted height of 14 mm is available for laying slabs, tiles or parquet flooring etc. Two chemical-resistant special seals. The cover is reinforced with a clamped steel mesh reinforcement.

**The Lift-Off opening system:** Every HAGODECK Type BVA-SL slim Alu comes with a set of lifting keys and precise installation instructions.

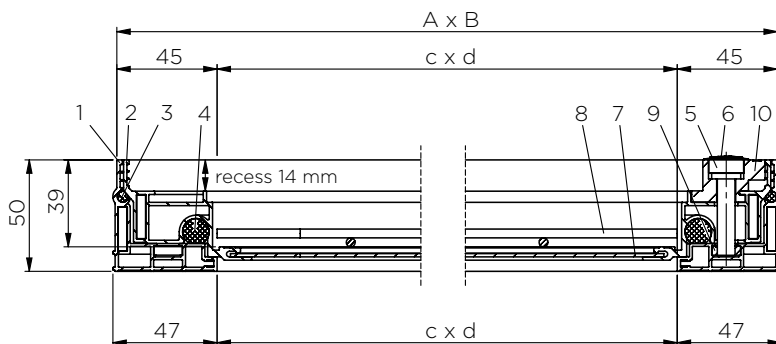
**The HAGO advantage:** Jammed covers are lifted by simply turning in the golden lifting key.

**Recommended applications:** For indoor access shafts, for which a pleasant appearance is required. Also, in places where floor finishes may require grinding or where particular attention must be paid to corrosion resistance.

**Installation:** Installation must be carried out according to our instructions. With water-tight models, care must be taken to seal the outer frame into the surrounding flooring and to fill the cover with water-tight concrete.

**Specification clause:** [www.hago.at](http://www.hago.at)

BVA-SL slim Alu



- |               |                                 |                         |
|---------------|---------------------------------|-------------------------|
| 1 Frame       | 5 Allen screw (stainless steel) | 8 Reinforcement         |
| 2 Cover       | 6 Plastic cap                   | 9 Nut (stainless steel) |
| 3 Top seal    | 7 Cover plate (aluminium)       | 10 Casting (aluminium)  |
| 4 Bottom seal |                                 |                         |

Type	Clear dimensions of shaft (≈ cm)	Outside dimensions (≈ cm)	Weight empty approx.	S / O*
	c x d	A x B		
BVA-SL slim 22	20 x 20	29 x 29	2 kg	S
BVA-SL slim 33	30 x 30	39 x 39	3 kg	S
BVA-SL slim 44	40 x 40	49 x 49	4 kg	S
BVA-SL slim 45	45 x 45	54 x 54	5 kg	S
BVA-SL slim 55	50 x 50	59 x 59	6 kg	S
BVA-SL slim 64	60 x 40	69 x 49	6 kg	S
BVA-SL slim 66	60 x 60	69 x 69	7 kg	S
BVA-SL slim 635	63,5 x 63,5	72,5 x 72,5	8 kg	S
BVA-SL slim 77	70 x 70	79 x 79	9 kg	S
BVA-SL slim 86	80 x 60	89 x 69	9 kg	S
BVA-SL slim 88	80 x 80	89 x 89	10 kg	S
BVA-SL slim 106	100 x 60	109 x 69	10 kg	S
BVA-SL slim 108	100 x 80	109 x 89	12 kg	S
BVA-SL slim 110	100 x 100	109 x 109	14 kg	S

**Cover depth** 39 mm / 14 mm (around the edge)

**Installation height** ≈ 5.0 cm

**Special sizes possible**

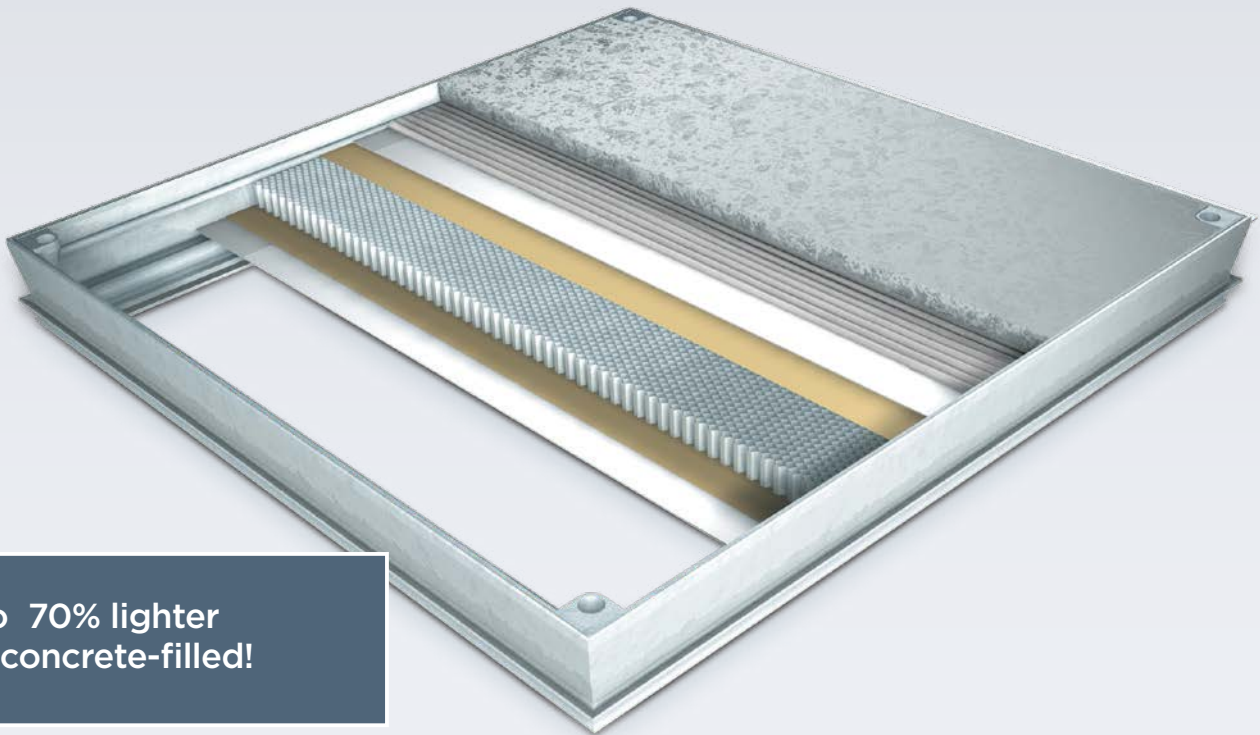
\*S = available from stock

\*O = to order

# HAGODECK

# Composite

*The innovative access cover*



Up to 70% lighter  
than concrete-filled!

## NO CONCRETE-WEIGHT

Opening the cover couldn't be easier.  
You save up to 85kgs of weight in concrete.  
(at a size of 80 x 80cm)

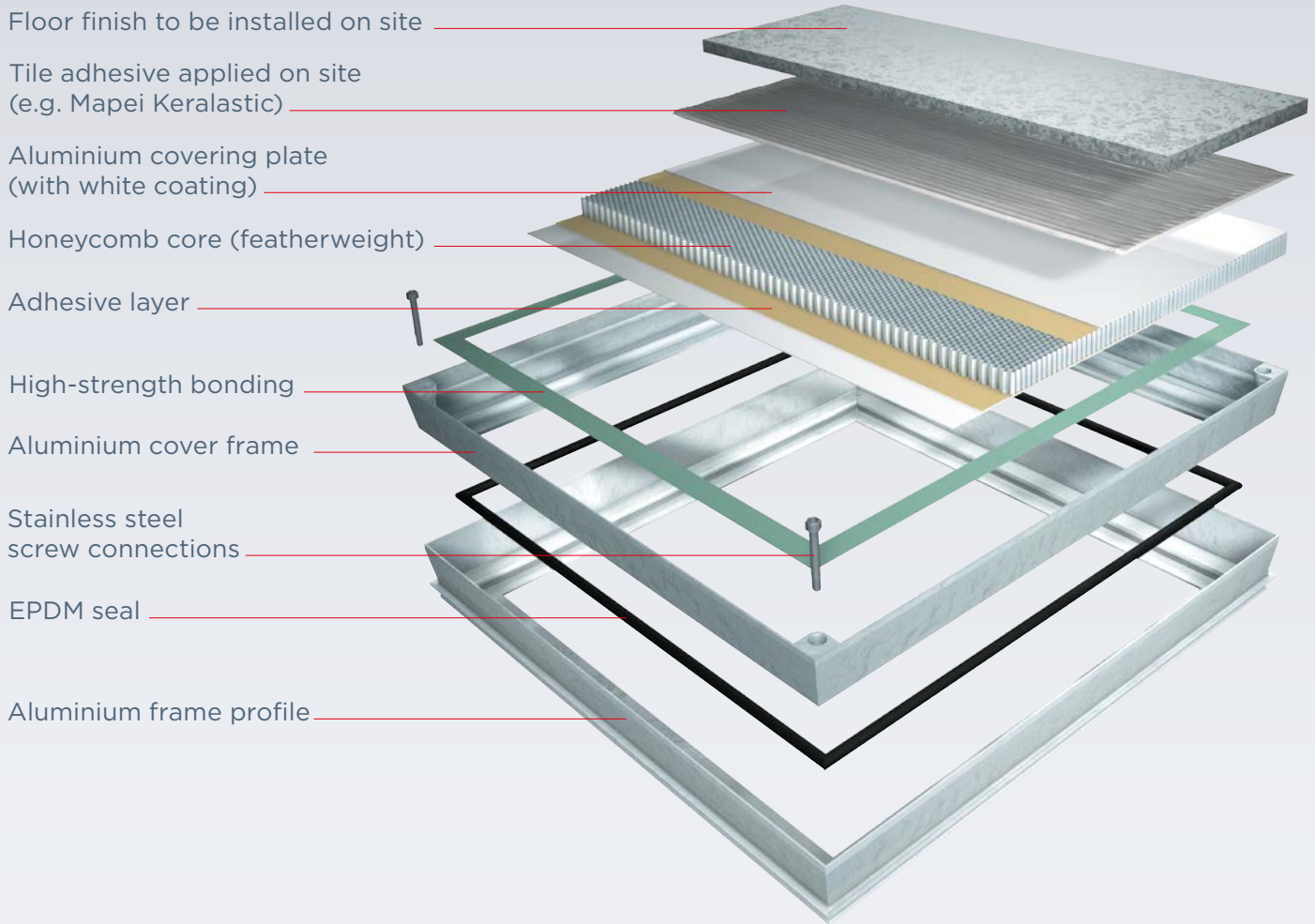
## FAST-INSTALLATION

Floor coverings (tiles, slabs, parquet)  
can be bonded on directly.  
No concrete filling. No concrete drying time.

## NEW INNOVATION

A modern patented (European patent) access  
cover. Composite aluminium honeycomb  
plates and adhesive technology as used in  
aircraft construction.





## We have reinvented the floor access cover!

Hago have developed a brand new access cover range using technology from lightweight construction for aircraft. The consistent use of lightweight construction (featherweight honeycomb panel) means maximum weight savings (no concrete filling) and easy opening.

The cover does not need to be filled with concrete. This makes installation quicker and simpler. And there's no need to wait for the concrete to dry.



Stone slabs



Tiles



Parquet



**Type CLA composite light**  
The super-lightweight cover

**Load capacity:** Class A (15 kN test load) EN 124

**Materials:** Frame in extruded aluminium. Cover in extruded aluminium bonded to a composite aluminium honeycomb panel (with a white coating). Stainless steel screw connections. EPDM sealing

**Features:** Modern lightweight-construction access cover. Major weight-savings compared to concrete-filled access covers. Opening the light cover couldn't be easier. As the cover is not filled with concrete, installation is quicker and simpler. There is a recess of 24 mm for laying slabs, tiles, parquet etc. In the case of thin tiles, the difference in height can be compensated for by using a suitable tile adhesive (MAPEI Keralastic) and waterproof building board. Sealed design with a very high-quality finish. Very attractive surface, particularly the visible edges. Inconspicuous corner joints make it easy to connect tiles, slabs etc.

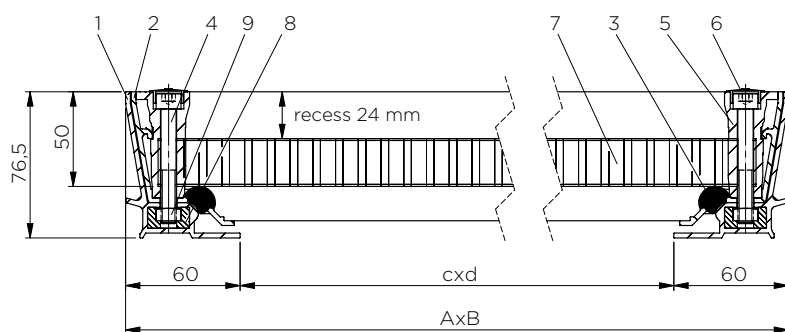
**Opening with the Lift-Off System:** Every HAGO-DECK Type CLA composite light aluminium comes with a set of lifting keys and detailed installation instructions. The HAGO advantage: Jammed covers are released by simply turning the Golden Key.

**Recommended applications:** As a cover inside buildings (pedestrian traffic only), which can be opened by 1-2 persons (depending on the size of the cover) without great effort.

**Installation:** Installation has to be carried out according to our installation instructions. In the case of water tight covers, care must be taken to seal the outer frame into the surrounding floor. Attach slabs or tiles fully (over the whole surface) with a suitable tile adhesive (MAPEI Keralastic). In the case of thin tiles or slabs, use waterproof building board to compensate for the difference in height.

**Specification clause:** [www.hago.at](http://www.hago.at)

CLA composite light aluminium



- |   |                               |             |  |                                  |
|---|-------------------------------|-------------|--|----------------------------------|
| 1 | Frame                         | (aluminium) | 8  | injection-moulded part (plastic) |
| 2 | Cover                         | 6           | Plastic cap  |                                  |
| 3 | Seal                          | 7           | Aluminium honeycomb plate plate (with white coating) | 9                                |
| 4 | Allen screw (stainless steel) |             |  | Square boss (stainless steel)    |
| 5 | Die-cast corner               |             |  |                                  |

Type	Clear dimensions of shaft (≈ cm)	Outside dimensions (≈ cm)	Weight empty approx.	S / O*
	c x d	A x B		
CLA 22	20 x 20	32 x 32	3 kg	S
CLA 33	30 x 30	42 x 42	5 kg	S
CLA 44	40 x 40	52 x 52	7 kg	S
CLA 55	50 x 50	62 x 62	9 kg	S
CLA 64	60 x 40	72 x 52	9 kg	S
CLA 66	60 x 60	72 x 72	10 kg	S
CLA 77	70 x 70	82 x 82	12 kg	O
CLA 86	80 x 60	92 x 72	12 kg	S
CLA 88	80 x 80	92 x 92	15 kg	S
CLA 106	100 x 60	112 x 72	15 kg	S
CLA 108	100 x 80	112 x 92	20 kg	S
CLA 110	100 x 100	112 x 112	25 kg	S

**Cover depth approx.** 6,6 cm,  
**installation height approx.** 7,6 cm

**Special sizes possible**  
\*S= available from stock,  
\*O= to order



**Load capacity:** Class A (15 kN test force) EN 124

**Material:** Frame made of extruded aluminium sections. Cover made of extruded aluminium sections with composite aluminium honeycomb plate (white coated). Stainless steel screws 2 EPDM seals.

**Features:** Modern lightweight access cover. High weight reduction when compared with concrete filled access covers. Opening the light cover is just child's play. Since the concrete filling of the cover is omitted, the installation is much quicker and simpler. An unrestricted height of 14 mm is available for laying slabs, tiles or parquet flooring etc. Odor and waterproof access cover in high-quality finish. Pleasant visible edges. Unobtrusive corner joints ease the joining of tiles or slabs etc.

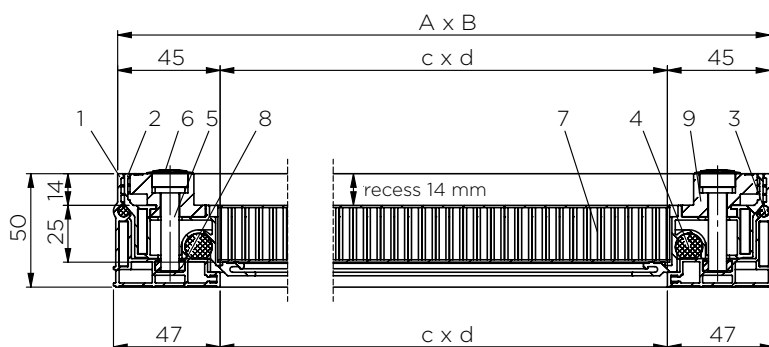
**The Lift-Off opening system:** Each HAGODECK Type CLA-SL slim composite light Alu is delivered with a set of lift-out keys and precise installation instructions. The HAGO advantage: Jammed covers are lifted up by simply turning the golden lift-out key.

**Applications:** For indoor access shafts (only accessible), which can be opened without applying excessive force.

**Installation:** Installation must be carried out according to our instructions. With water-tight models, care must be taken to seal the outer frame into the surrounding flooring. Connect slabs or tiles (full area) with suitable tile adhesive (MAPEI Keralastic). For thin tiles or slabs use waterproof construction panels for height compensation.

**Specification clause:** www.hago.at

CLA-SL slim composite light Alu



- |               |                             |                         |
|---------------|-----------------------------|-------------------------|
| 1 Frame       | (stainless steel)           | 8 Nut (stainless steel) |
| 2 Cover       | 6 Plastic cap               | 9 Die-cast corner       |
| 3 Top seal    | 7 Aluminium honeycomb plate | (aluminium)             |
| 4 Bottom seal |                             |                         |
| 5 Allen screw | (white coated)              |                         |

Type	Clear dimensions of shaft (≈ cm)	Outside dimensions (≈ cm)	Weight empty approx.	S / O*
	c x d	A x B		
CLA-SL slim 22	20 x 20	29 x 29	2 kg	S
CLA-SL slim 33	30 x 30	39 x 39	3 kg	S
CLA-SL slim 44	40 x 40	49 x 49	5 kg	S
CLA-SL slim 45	45 x 45	54 x 54	5 kg	O
CLA-SL slim 55	50 x 50	59 x 59	6 kg	S
CLA-SL slim 64	60 x 40	69 x 49	6 kg	S
CLA-SL slim 66	60 x 60	69 x 69	8 kg	S
CLA-SL slim 77	70 x 70	79 x 79	10 kg	O
CLA-SL slim 86	80 x 60	89 x 69	10 kg	S
CLA-SL slim 88	80 x 80	89 x 89	12 kg	S
CLA-SL slim 106	100 x 60	109 x 69	12 kg	S
CLA-SL slim 108	100 x 80	109 x 89	13 kg	S
CLA-SL slim 110	100 x 100	109 x 109	16 kg	S

**Installation depth** 50 mm

**free height** 14 mm

**Special sizes possible**

\*S= available from stock,

\*O= to order



Detailed view of the safety device



The cover is lifted by the hinge, significantly reducing the effort required.

**Load capacity:** Class A (15 kN test load) EN 124

**Materials:** Frame in extruded aluminium. Cover in extruded aluminium bonded to a composite aluminium honeycomb panel (with a white coating). Stainless steel screw connections. EPDM seal

**Features:** modern lightweight-construction access cover. **Major weight-savings compared to concrete-filled access covers.** The cover is lifted by the hinge, significantly reducing the effort required. A safety device is fitted, locking the cover in the raised position. As the cover is not filled with concrete, installation is quicker and simpler. There is a recess of 24 mm for laying slabs, tiles, parquet etc. In the case of thin tiles, the difference in height can be compensated for by using a suitable tile adhesive (MAPEI Keralastic) and waterproof building board. Sealed design with a very high-quality finish. Very attractive surface, particularly the visible edges. Inconspicuous corner joints make it easy to connect tiles, slabs etc.

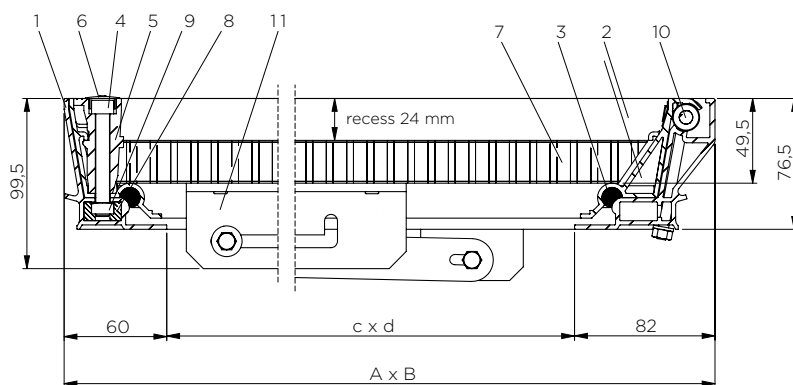
**Opening with the Lift-Off System with the help of the hinge:** Every HAGODECK Type CCA composite comfort aluminium comes with a set of lifting keys and detailed installation instructions. The **HAGO advantage:** Jammed covers are released by simply turning the Golden Key.

**Recommended applications:** As a cover inside buildings which can be opened by one person also suitable for pool access cover.

**Installation:** Installation should be carried out according to our installation instructions. In the case of water tight covers, care must be taken to seal the outer frame into the surrounding floor. Attach slabs or tiles fully (over the whole surface) with a suitable tile adhesive (MAPEI Keralastic). In the case of thin tiles or slabs, use waterproof building board to compensate for the difference in height.

**Specification clause:** www.hago.at

CCA composite comfort aluminium



- |                                 |  |                                    |
|---------------------------------|--|------------------------------------|
| 1 Frame                         | 5 Die-cast corner (aluminium)                    | 8 Injection-moulded part (plastic) |
| 2 Cover                         | 6 Plastic cap                                    | 9 Square boss (stainless steel)    |
| 3 Seal                          | 7 Aluminium honeycomb plate (with white coating) | 10 Hinge                           |
| 4 Allen Screw (stainless steel) |  | 11 Safety device                   |

Type	Clear dimensions of shaft (≈ cm)	Outside dimensions (≈ cm)	Weight empty approx.	S / O*
	c x d	A x B		
CCA 55	50 x 50	62 x 64	10 kg	S
CCA 64	60 x 40	72 x 54	10 kg	S
CCA 66	60 x 60	72 x 74	12 kg	S
CCA 77	70 x 70	82 x 84	14 kg	O
CCA 86	80 x 60	92 x 74	14 kg	S
CCA 88	80 x 80	92 x 94	17 kg	S
CCA 106	100 x 60	112 x 74	17 kg	S

**Cover depth approx.** 6.6 cm

**Installation height approx.** 7.6 cm

**Special sizes possible**

\*S= available from stock,

\*O= to order



Detailed view of the safety device and gas-lift struts



Extremely easy to open thanks to lightweight construction and gas-lift struts

**Load capacity:** Class A (15 kN test load) EN 124

**Materials:** Frame in extruded aluminium. Cover in extruded aluminium bonded to a composite aluminium honeycomb panel (with a white coating). Stainless steel screw connections. EPDM seal. High-quality gas-lift struts.

**Features:** Modern lightweight-construction access cover with maximum ease of opening. Major weight-savings compared to concrete-filled access covers. Extremely easy to open thanks to gas-lift struts. A safety device is fitted, locking the cover in the raised position. As the cover is not filled with concrete, installation is quicker and simpler. There is a recess of 24 mm for laying slabs, tiles, parquet etc. In the case of thin tiles, the difference in height can be compensated for by using a suitable tile adhesive (MAPEI Keralastic) and waterproof building board. Sealed design with a very high-quality finish. Very attractive surface, particularly the visible edges. Inconspicuous corner joints make it easy to connect tiles, slabs etc.

**Opening with the Lift-Off System with the help of the hinge:** Every HAGODECK Type CCA-GD composite comfort aluminium comes with a set of lifting keys and detailed installation instructions.

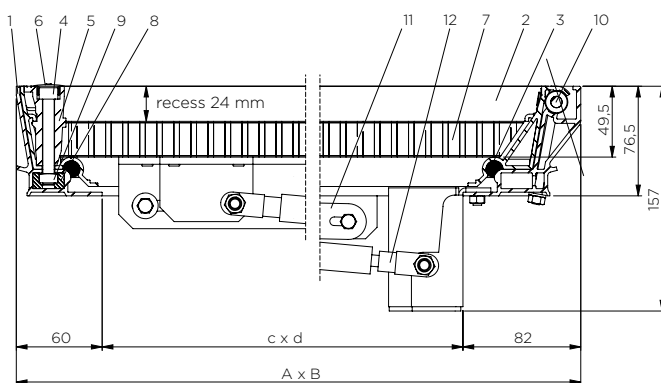
**The HAGO advantage:** Jammed covers are released by simply turning the Golden Key.

**Recommended applications:** As a cover inside buildings which can be very easily opened by one person also suitable for pool access cover.

**Installation:** Installation should be carried out according to our installation instructions. In the case of water tight covers, care must be taken on site to tightly seal the outer frame into the surrounding floor. Attach slabs or tiles fully (over the whole surface) with a suitable tile adhesive (MAPEI Keralastic). In the case of thin tiles or slabs, use waterproof building board to compensate for the difference in height.

**Specification clause:** www.hago.at

CCA-GD composite comfort aluminium



- |   |                               |                                      |                                 |
|---|-------------------------------|--------------------------------------|---------------------------------|
| 1 | Frame                         | (aluminium)                          | part (plastic)                  |
| 2 | Cover                         | 6 Plastic cap                        | 9 Square boss (stainless steel) |
| 3 | Seal                          | 7 Aluminium                          | 10 Hinge                        |
| 4 | Allen screw (stainless steel) | honeycomb plate (with white coating) | 11 Safety device                |
| 5 | Die-cast corner               | 8 Injection-moulded                  | 12 Gas-lift struts              |

Type	Clear dimensions of shaft (≈ cm)	Outside dimensions (≈ cm)	Weight empty approx.	S / O*
	c x d	A x B		
CCA-GD 66	60 x 60	72 x 74	13 kg	S
CCA-GD 86	80 x 60	92 x 74	15 kg	S
CCA-GD 88	80 x 80	92 x 94	18 kg	S
CCA-GD 106	100 x 60	112 x 74	18 kg	S
CCA-GD 108	100 x 80	112 x 94	20 kg	O
CCA-GD 110	100 x 100	112 x 114	23 kg	S

**Cover depth approx.** 6.6 cm  
**Installation height approx.** 7.6 cm

**Special sizes possible**  
\*S= available from stock,  
\*O= to order



**Load capacity:** 125 kN test load EN 124

**Material:** Frame and cover in 2 mm cold-formed precision steel profiles. Hot-dip galvanised.

**Features:** Accurately manufactured sealed access covers. Tapered design allows easy opening. Virtually invisible when installed. EPDM seal. Robust steel mesh reinforcement.

**The Lift-Off opening system:** Every **HAGODECK Type BV steel cover** comes with a set of lifting keys and precise installation instructions. The **HAGO advantage:** jammed covers are released by simply turning the Golden Key.

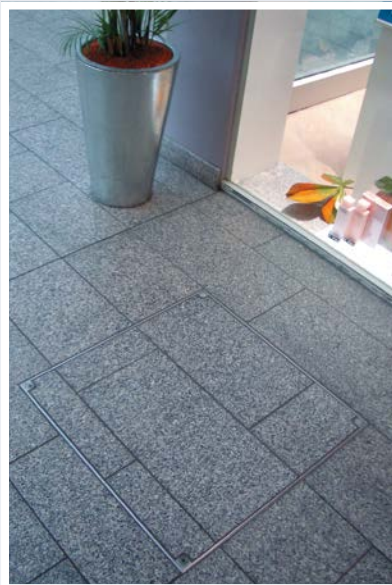
**Applications:** Inside buildings or their surroundings, where sealed covers are required.

**Installation:** Installation must be carried out according to our instructions. With water-tight models, care must be taken to seal the outer frame into the surrounding flooring.

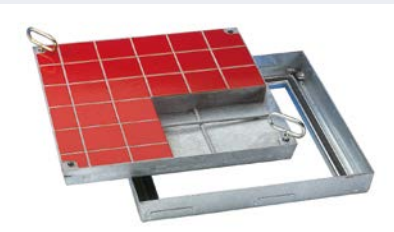
**Specification clause:** [www.hago.at](http://www.hago.at)



BV over a manhole

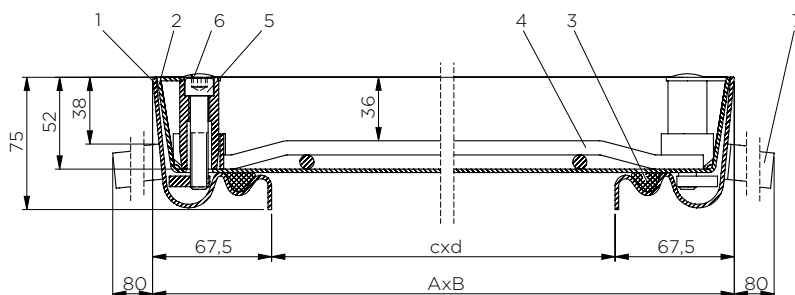


BV in a cafe floor with a granite finish



BV partially filled with tiles

**BV steel**



- 1 Frame
- 2 Cover
- 3 Seal
- 4 Reinforcement
- 5 Allen screw
- 6 Plastic cap
- 7 Anchor

Type	Clear dimensions of shaft (≈ cm)	Outside dimensions (≈ cm)	Weight empty approx.	S / O*
	c x d	A x B		
BV 33	30 x 30	43,5 x 43,5	10 kg	S
BV 44	40 x 40	53,5 x 53,5	14 kg	S
BV 45	45 x 45	58,5 x 58,5	16 kg	S
BV 55	50 x 50	63,5 x 63,5	17 kg	S
BV 64	60 x 40	73,5 x 53,5	17 kg	S
BV 66	60 x 60	73,5 x 73,5	21 kg	S
BV 635	63,5 x 63,5	77,0 x 77,0	23 kg	S
BV 77	70 x 70	83,5 x 83,5	27 kg	S
BV 86	80 x 60	93,5 x 73,5	26 kg	S
BV 88	80 x 80	93,5 x 93,5	31 kg	S
BV 106	100 x 60	113,5 x 73,5	30 kg	S
BV 108	100 x 80	113,5 x 93,5	36 kg	S
BV 110	100 x 100	113,5 x 113,5	42 kg	S

Cover depth ≈ 5.0 cm

Installation height ≈ 7.5 cm

Special sizes possible

\*S = available from stock

\*O = to order



**Load capacity:** 125 kN test load EN 124

**Material:** Grade 304 stainless steel. Passivated after welding. Also available in grade 316 stainless steel on request.

**Features:** Accurately manufactured fully sealed access covers. Tapered design allows easy opening. Virtually invisible when installed. EPDM seal.

**The Lift-Off opening system:** Every HAGODECK Type BVE stainless steel cover comes with a set of lifting keys and precise installation instructions. **The HAGO advantage:** jammed covers are released by simply turning the Golden Key.

**Applications:** Inside buildings or their surroundings, where exceptionally high standards are needed or where the hygienic properties of stainless steel are preferred, e.g. in the food industry, in meat-processing areas, dairies, hospitals, swimming pools. For indoor swimming pools only use grade 316 material!

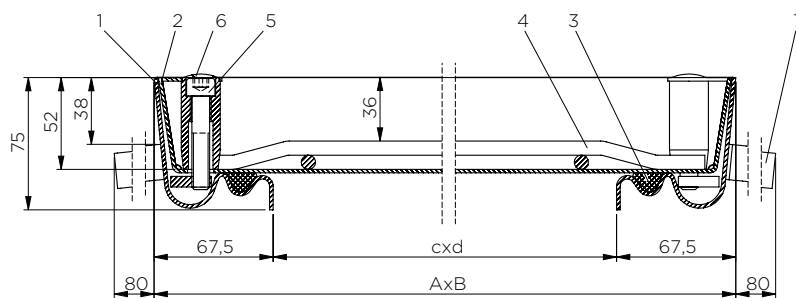
**Installation:** Installation must be carried out according to our instructions. With water-tight models, care must be taken to seal the outer frame into the surrounding flooring.

**Specification clause:** [www.hago.at](http://www.hago.at)



**BVE**  
In use at a food processing plant

**BVE stainless steel**



- 1 Frame
- 2 Cover
- 3 Seal
- 4 Reinforcement
- 5 Allen screw
- 6 Plastic cap
- 7 Anchor

Type	Clear dimensions of shaft (≈ cm)	Outside dimensions (≈ cm)	Weight empty approx.	S / O*
	c x d	A x B		
BVE 22	20 x 20	33,5 x 33,5	7 kg	S
BVE 33	30 x 30	43,5 x 43,5	10 kg	S
BVE 44	40 x 40	53,5 x 53,5	13 kg	S
BVE 55	50 x 50	63,5 x 63,5	16 kg	S
BVE 64	60 x 40	73,5 x 53,5	16 kg	S
BVE 66	60 x 60	73,5 x 73,5	20 kg	S
BVE 635	63,5 x 63,5	77,0 x 77,0	21 kg	S
BVE 77	70 x 70	83,5 x 83,5	26 kg	O
BVE 86	80 x 60	93,5 x 73,5	24 kg	S
BVE 88	80 x 80	93,5 x 93,5	29 kg	S
BVE 106	100 x 60	113,5 x 73,5	28 kg	S
BVE 108	100 x 80	113,5 x 93,5	34 kg	S
BVE 110	100 x 100	113,5 x 113,5	40 kg	S

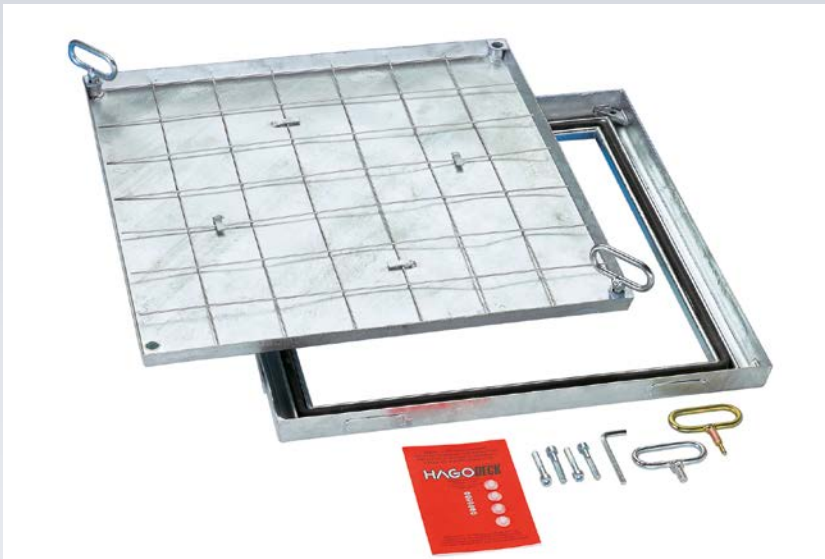
Cover depth ≈ 5.0 cm

Installation height ≈ 7.5 cm

Special sizes possible

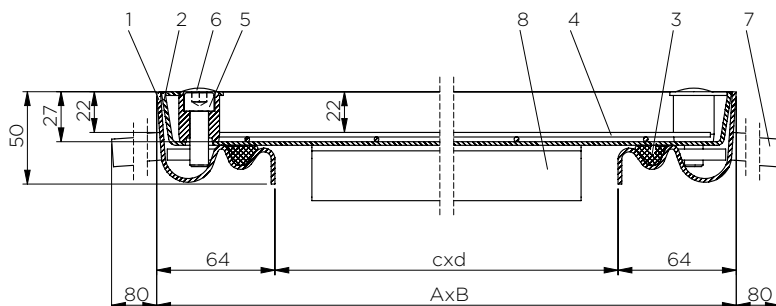
\*S = available from stock

\*O = to order



**BV shallow**  
The bottom of the cover is reinforced

**BV-shallow steel/BVE-shallow stainless steel**



- 1 Frame
- 2 Cover
- 3 Seal
- 4 Reinforcement
- 5 Allen screw
- 6 Plastic cap
- 7 Anchor
- 8 Reinforcement

**Load capacity:** pedestrian

**Material:**

**BV-shallow:** frame and cover in 2 mm cold formed precision steel profiles, hot-dip galvanised.

**BVE-shallow:** Frame and cover made of stainless steel grade 304 (also available in grade 316 on request).

**Features:** Sealed. Cover with an installation depth of only 5 cm. Particularly suitable for situations where greater installation depth is not available. Since the cover is shallower, this means that it is not so heavy when filled in - so less effort is required to lift the cover. The bottom of the cover is reinforced. EPDM seal. Tapered design allows easy opening. Steel reinforcement guarantees good adhesion between the concrete infill and the bottom of the cover.

**The Lift-Off opening system:** Every HAGODECK Type BV(E) shallow cover comes with a set of lifting keys and clear installation instructions. **The HAGO advantage:** jammed covers are released by simply turning the Golden Key.

**Applications:** For pedestrian use inside buildings and their surroundings.

**Installation:** Installation must be carried out according to our instructions. With water-tight models, care must be taken to seal the

**Specification clause:** [www.hago.at](http://www.hago.at)

Type	Clear dimensions of shaft (≈ cm)	Outside dimensions (≈ cm)	Weight empty approx.	S / O*
<b>Galvanised steel</b>		c x d	A x B	
BV-shallow 22	20 x 20	33 x 33	6 kg	S
BV-shallow 33	30 x 30	43 x 43	9 kg	S
BV-shallow 44	40 x 40	53 x 53	13 kg	S
BV-shallow 55	50 x 50	63 x 63	14 kg	S
BV-shallow 64	60 x 40	73 x 53	16 kg	S
BV-shallow 66	60 x 60	73 x 73	20 kg	S
BV-shallow 86	80 x 60	93 x 73	25 kg	S
BV-shallow 88	80 x 80	93 x 93	30 kg	S
BV-shallow 106	100 x 60	113 x 73	29 kg	S
<b>Stainless steel grade 304, passivated</b>				
BVE-shallow 22	20 x 20	33 x 33	6 kg	S
BVE-shallow 33	30 x 30	43 x 43	8 kg	S
BVE-shallow 44	40 x 40	53 x 53	12 kg	S
BVE-shallow 55	50 x 50	63 x 63	15 kg	S
BVE-shallow 64	60 x 40	73 x 53	15 kg	S
BVE-shallow 66	60 x 60	73 x 73	19 kg	S
BVE-shallow 86	80 x 60	93 x 73	24 kg	S
BVE-shallow 88	80 x 80	93 x 93	28 kg	S
BVE-shallow 106	100 x 60	113 x 73	28 kg	S

**Cover depth** ≈ 2.7 cm

**Installation height** ≈ 5.0 cm

**Special sizes possible**

\*S = available from stock

\*O = to order



## HAGOlifter PRO

The lifting device for professionals



**Application:** The HAGOlifter PRO is the lifting device for professionals, suitable for **HAGO** access covers without hinges. Even heavy and high covers can be lifted and moved effortlessly without exertion.

In addition, we have two special types in our program. The HAGOlifter-WALL for low wall clearance and the HAGOlifter-XH for extra high covers.

**Scope of delivery:**

The HAGOlifter is delivered as a complete set consisting of:

- 2 pcs. Lifting unit (painted red) with aluminium wheels
- 2 pcs. Fixing screws M10 (for HAGO access covers made of aluminium)
- 2 pcs. Fixing screws M12 (for HAGO access covers made of galvanized and stainless steel)
- 2 pcs. Rubber protection plates (to place on sensitive floors)



Type	Lifting height	Weight per lifting unit
HAGOlifter PRO	26 cm	12 kg
HAGOlifter WALL	26 cm	12 kg
HAGOlifter XH	31 cm	12 kg

## HAGOlifter MINI

The handy lifting device for private use



**Application:** The HAGOlifter Mini is suitable for the private user and enables easy lifting and moving of **HAGO** access covers without hinges up to medium sizes.

**Scope of delivery:** The HAGOlifter MINI comes as a complete set consisting of:

- 2 pcs. Lifting units (painted red) with blue rubberized wheels
- 2 pcs. Universal fixing screws M10 and M12 (for HAGO access covers made of aluminium or steel and stainless steel)
- 2 pcs. Rubber protection plates (to place on sensitive floors)

Type	Lifting height	Weight per lifting unit
HAGOlifter MINI	19 cm	4 kg



**BVS-250**

The bottom of the cover is reinforced with IPE-beam section and flat steel

**Load capacity:** 250 kN test load EN 124 when completely filled with concrete C 35/45 (EN 206)

**Material:** Frame and trough made of hot-dip galvanized sheet steel or stainless steel or stainless steel grade 304 (also available in grade 316 on request).

**Features:** Heavy duty sealed cover. Underside of cover reinforced with steel I-beam section.. Robust steel mesh reinforcement. EPDM seal. Tapered design allows easy opening.


**The Lift-Off opening system:** Every HAGO DECK Type BVS-250 steel cover comes with a set of lifting keys and precise installation instructions.

**The HAGO advantage:** jammed covers are released by simply turning the Golden Key.

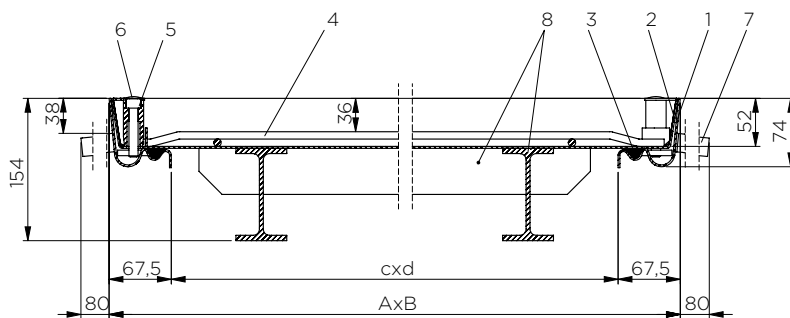
**Applications:** For vehicle traffic areas in industrial buildings and their surrounding areas, where the cover needs to be heavy duty.

**Installation:** Installation must be carried out according to our instructions. With watertight models, care must be taken to seal the outer frame into the surrounding flooring.

**Specification clause:** www.hago.at

 **Attention:** For forklift use - we recommend our BVHS/ BVEHS type covers with high recess - Page 29-30

BVS-250 steel/BVES-250 stainless steel



- |         |                 |                 |
|---------|-----------------|-----------------|
| 1 Frame | 4 Reinforcement | 7 Anchor        |
| 2 Cover | 5 Allen screw   | 8 Reinforcement |
| 3 Seal  | 6 Plastic cap   |                 |

Type	Clear dimensions of shaft (≈ cm)	Outside dimensions (≈ cm)	Weight empty approx.	S / O*
<b>Galvanised steel</b>	c x d	A x B		
BVS 250/44	40 x 40	53,5 x 53,5	22 kg	S
BVS 250/55	50 x 50	63,5 x 63,5	27 kg	S
BVS 250/64	60 x 40	73,5 x 53,5	26 kg	S
BVS 250/66	60 x 60	73,5 x 73,5	33 kg	S
BVS 250/86	80 x 60	93,5 x 73,5	44 kg	O
BVS 250/88	80 x 80	93,5 x 93,5	54 kg	S
BVS 250/106	100 x 60	113,5 x 73,5	54 kg	S
BVS 250/108	100 x 80	113,5 x 93,5	66 kg	O
BVS 250/110	100 x 100	113,5 x 113,5	80 kg	S
<b>Stainless steel</b>				
BVES 250/44	40 x 40	53,5 x 53,5	21 kg	O
BVES 250/55	50 x 50	63,5 x 63,5	27 kg	O
BVES 250/64	60 x 40	73,5 x 53,5	25 kg	O
BVES 250/66	60 x 60	73,5 x 73,5	33 kg	O
BVES 250/86	80 x 60	93,5 x 73,5	43 kg	O
BVES 250/88	80 x 80	93,5 x 93,5	54 kg	O
BVES 250/106	100 x 60	113,5 x 73,5	54 kg	O
BVES 250/108	100 x 80	113,5 x 93,5	66 kg	O
BVES 250/110	100 x 100	113,5 x 113,5	80 kg	O

Cover depth ≈ 5.0 cm

Installation height ≈ 7.5 cm

Steel girders penetrate ≈ 10 cm into the shaft

Special sizes possible

\*S = available from stock

\*O = to order



**BVS-400**

The bottom of the cover is reinforced with I-beam section and flat steel

**Load capacity:** 400 kN test load EN 124 when completely filled with concrete C 35/45 (EN 206)

**Material:** Frame and trough made of hot-dip galvanized sheet steel or stainless steel grade 304 (also available in grade 316 on request).

**Features:** Heavy duty sealed cover. Underside of cover reinforced with steel I-beam section and additional frame. Robust steel mesh reinforcement. EPDM seal. Tapered design allows easy opening.

**The Lift-Off opening system:** Every HAGODECK Type BVS-400 steel cover comes with a set of lifting keys and precise installation instructions.

**The HAGO advantage:** jammed covers are released by simply turning the Golden Key.

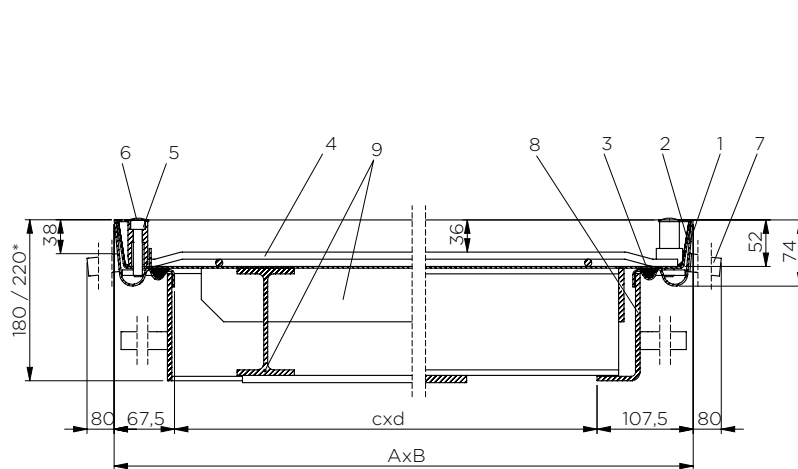
**Applications:** For vehicle traffic areas in industrial buildings and their surrounding areas, or for secondary traffic areas.

**Installation:** Installation must be carried out according to our instructions. With water-tight models, care must be taken to seal the outer frame into the surrounding flooring.

**Specification clause:** www.hago.at

**Attention:** For forklift use - we recommend our BVHS/ BVEHS type covers with high recess - Page 29-30

BVS-400 steel/BVES-400 stainless steel



- 1 Frame
- 2 Cover
- 3 Seal
- 4 Reinforcement
- 5 Allen screw
- 6 Plastic cap
- 7 Anchor
- 8 Frame reinforcement (additional frame)
- 9 Reinforcement

Type	Clear dimensions of shaft (≈ cm)	Outside dimensions (≈ cm)	Weight empty approx.	S / O*
<b>Galvanised steel</b>		c x d	A x B	
BVS 400/44	40 x 40	53,5 x 61,5	44 kg	S
BVS 400/55	50 x 50	63,5 x 71,5	54 kg	S
BVS 400/64	60 x 40	73,5 x 61,5	52 kg	O
BVS 400/66	60 x 60	73,5 x 81,5	62 kg	S
BVS 400/86	80 x 60	93,5 x 81,5	86 kg	O
BVS 400/88	80 x 80	93,5 x 101,5	105 kg	S
BVS 400/106	100 x 60	113,5 x 81,5	103 kg	O
BVS 400/108	100 x 80	113,5 x 101,5	127 kg	O
BVS 400/110	100 x 100	113,5 x 121,5	175 kg	S
<b>Stainless steel</b>				
BVES 400/44	40 x 40	53,5 x 61,5	43 kg	O
BVES 400/55	50 x 50	63,5 x 71,5	54 kg	O
BVES 400/64	60 x 40	73,5 x 61,5	51 kg	O
BVES 400/66	60 x 60	73,5 x 81,5	64 kg	O
BVES 400/86	80 x 60	93,5 x 81,5	88 kg	O
BVES 400/88	80 x 80	93,5 x 101,5	107 kg	O
BVES 400/106	100 x 60	113,5 x 81,5	106 kg	O
BVES 400/108	100 x 80	113,5 x 101,5	127 kg	O
BVES 400/110	100 x 100	113,5 x 121,5	179 kg	O

Cover depth ≈ 5.0 cm

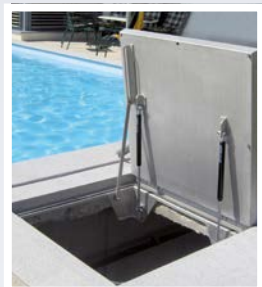
Installation heights: up to BVS 400/ 88 ≈ 18 cm

BVS 400/110 ≈ 22 cm

Special sizes possible

\*S = available from stock

\*O = to order



**BV-GD 88** built into a swimming pool area



**Detail:** gas strut and safety device

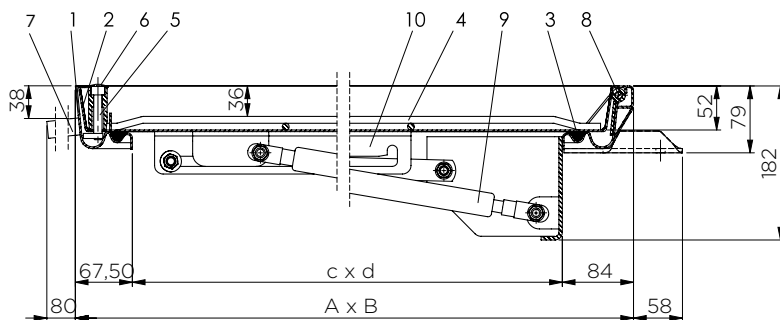
**ATTENTION:**

Do not use an access cover made of galvanised steel in the swimming pool area!

Only use stainless steel grade 304 or grade 316 (for indoor swimming pools)



**BV-GD automatic steel/BVE-GD automatic stainless steel**



- |                 |               |                  |
|-----------------|---------------|------------------|
| 1 Frame         | 5 Allen Screw | 9 Gas strut      |
| 2 Cover         | 6 Plastic cap | 10 Safety device |
| 3 Seal          | 7 Anchor      |                  |
| 4 Reinforcement | 8 Hinge       |                  |

**Load capacity:** 125 kN test load EN 124

**Material:** Frame and cover made of 2 mm cold-formed precision steel profiles, hot-dip galvanised or stainless steel grade 304 (also available in grade 316 on request).

**Features:** Comfort-lift access cover. Smell proof, largely water-tight (not guaranteed to be completely water-tight). EPDM seal. Opening tools included. Opening is assisted by the gas strut(s) to such an extent that the BV-GD/BVE-GD cover can be opened and closed by one person. Safety device fitted to prevent the open cover from closing.

**Applications:** As a cover over installations that need to be opened frequently, without particular effort. Particularly for inspection chambers. BVE-GD is particularly recommended over plant in swimming pool areas. For indoor swimming pools only use grade 316 material!

**Installation:** Please study the enclosed installation instructions carefully before installation and pay attention to our specifications. Care must be taken to seal the outer frame into the surrounding flooring.

**Important note:** The gas strut(s) are not installed for transport-related reasons. These should be installed after the cover and frame have been installed and filled (concrete must be set), in the open position in accordance

**Specification clause:** www.hago.at

Type	Clear dimensions of shaft (≈ cm)	Outside dimensions (≈ cm)	Weight empty approx.	S / O*
<b>Galvanised steel</b>				
BV-GD 44	c x d	A x B	20 kg	O
BV-GD 55	40 x 40	53,5 x 55,15	24 kg	O
BV-GD 66	50 x 50	63,5 x 65,15	27 kg	S
BV-GD 86	60 x 60	73,5 x 75,15	33 kg	S
BV-GD 88	80 x 60	93,5 x 75,15	37 kg	S
BV-GD 106	80 x 80	93,5 x 95,15	38 kg	S
BV-GD 108	100 x 60	113,5 x 75,15	45 kg	O
BV-GD 110	100 x 80	113,5 x 95,15	50 kg	S
<b>Stainless steel</b>				
BVE-GD 44	100 x 100	113,5 x 115,15	20 kg	O
BVE-GD 55	40 x 40	53,5 x 55,15	24 kg	O
BVE-GD 66	50 x 50	63,5 x 65,15	28 kg	S
BVE-GD 86	60 x 60	73,5 x 75,15	35 kg	S
BVE-GD 88	80 x 60	93,5 x 75,15	41 kg	S
BVE-GD 106	80 x 80	93,5 x 95,15	36 kg	S
BVE-GD 108	100 x 60	113,5 x 75,15	42 kg	O
BVE-GD 110	100 x 80	113,5 x 95,15	48 kg	S

**Cover depth** ≈ 5.0 cm, **Installation height** ≈ 7.5 cm

**Special sizes possible**

\*S = available from stock

\*O = to order

Number of gas struts

Size:	60 x 60	1
Size:	80 x 60	2
Size:	80 x 80	2
Size:	100 x 60	2
Size:	100 x 100	2



**BV-GDZ**

To be opened from the underside with the central lock



**BVE-GDZ** built into a family home

**Load capacity:** 125 kN test load EN 124

**Material:** Frame and cover made of 2 mm cold edged steel, hot-dip galvanized. Both made of hot-dip galvanized sheet steel or stainless steel grade 304 (also available in grade 316 on request).

**Features:** Comfort-lift access cover. Smell proof (not guaranteed to be completely watertight). Virtually invisible when installed. EPDM seal. Opening tools included. Opening is assisted by the gas strut(s) to such an extent that the BV-GDZ cover can be opened and closed by one person.

**Central locking system:** HAGODECK Type BV-GDZ steel cover is equipped with a central locking system. The cover can be opened from above using a special socket key and easily unlocked from underneath using the built-in handle. Safety device fitted to prevent the open cover from closing.

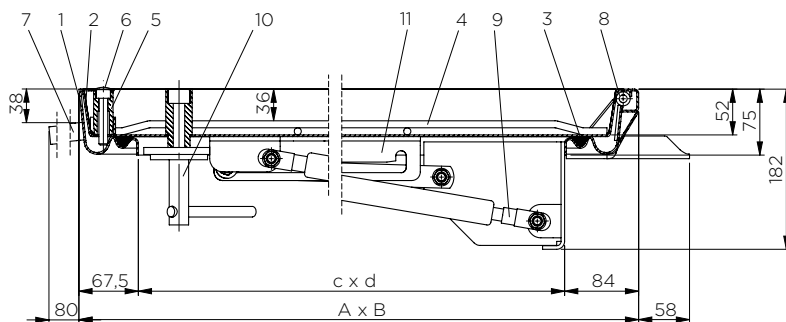
**Applications:** For covers that need to be opened from above and below, quickly and without particular effort, e.g. in underground passageways, in underground railways, power stations, telecommunication or military facilities etc. Not permitted to be used as emergency exit hatches (escape routes)!

**Installation:** Please study the enclosed installation instructions **carefully before installation** and pay attention to our specifications. Care must be taken to seal the outer frame into the surrounding flooring.

**Important note:** The gas strut(s) are not installed for transport-related reasons. These should be installed after the cover and frame have been installed and filled (concrete must be set), in the open position in accordance with our installation instructions.

**Specification clause:** [www.hago.at](http://www.hago.at)

**BV-GDZ automatic steel/BVE-GDZ automatic stainless steel**



- |                 |                |                  |
|-----------------|----------------|------------------|
| 1 Frame         | 5 Lifting boss | 10 Central lock  |
| 2 Cover         | 6 Plastic cap  | 11 Safety device |
| 3 Seal          | 7 Hinge        |                  |
| 4 Reinforcement | 8 Gas strut    |                  |

Type	Clear dimensions of shaft (≈ cm)	Outside dimensions (≈ cm)	Weight empty approx.	S / O*
<b>Galvanised steel</b>		A x B		
BV-GDZ 66	60 x 60	73,5 x 75,15	27 kg	S
BV-GDZ 86	80 x 60	93,5 x 75,15	33 kg	S
BV-GDZ 88	80 x 80	93,5 x 95,15	39 kg	S
BV-GDZ 106	100 x 60	113,5 x 75,15	39 kg	O
BV-GDZ 108	100 x 80	113,5 x 95,15	45 kg	O
BV-GDZ 110	100 x 100	113,5 x 115,15	50 kg	S
<b>Stainless steel</b>				
BVE-GDZ 66	60 x 60	73,5 x 75,15	28 kg	S
BVE-GDZ 86	80 x 60	93,5 x 75,15	32 kg	S
BVE-GDZ 88	80 x 80	93,5 x 95,15	39 kg	S
BVE-GDZ 106	100 x 60	113,5 x 75,15	39 kg	O
BVE-GDZ 108	100 x 80	113,5 x 95,15	42 kg	O
BVE-GDZ 110	100 x 100	113,5 x 115,15	50 kg	S

**Cover depth** ≈ 5.0 cm

**Installation height** ≈ 8 cm

**Special sizes possible**

\*S = available from stock

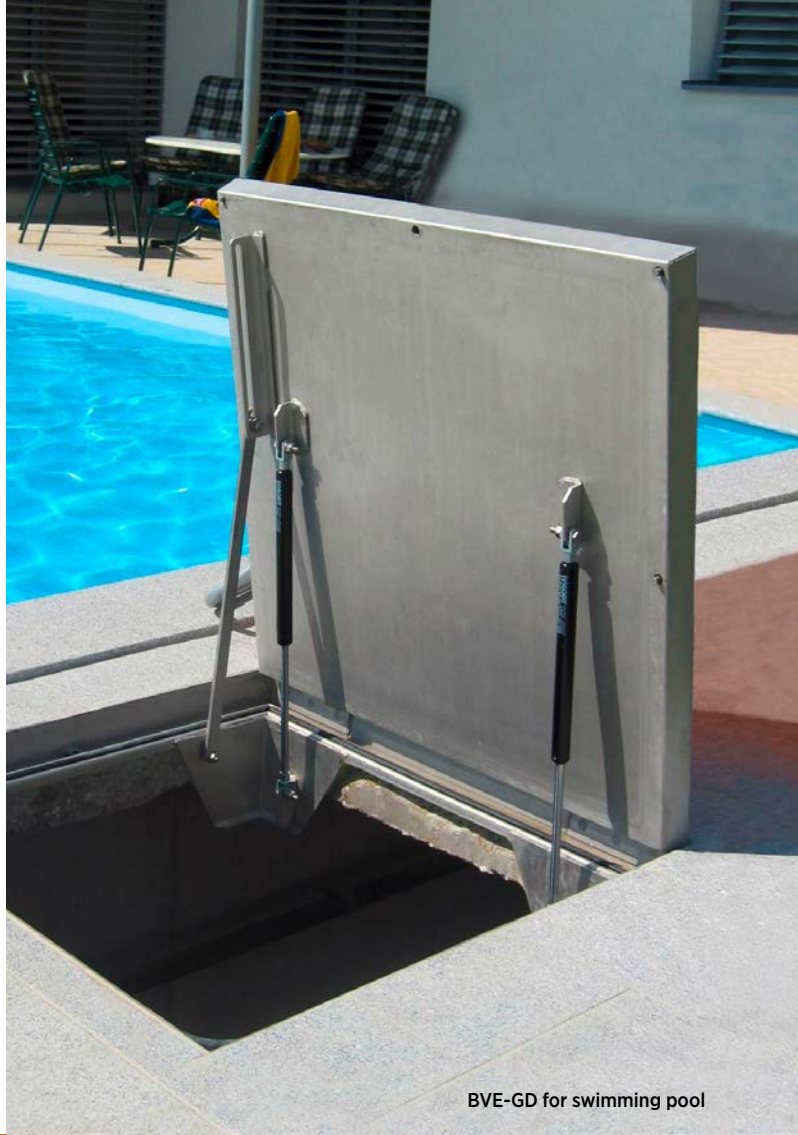
\*O = to order

Number of gas struts

Size:	60 x 60	1
Size:	80 x 60	2
Size:	80 x 80	2
Size:	100 x 100	2



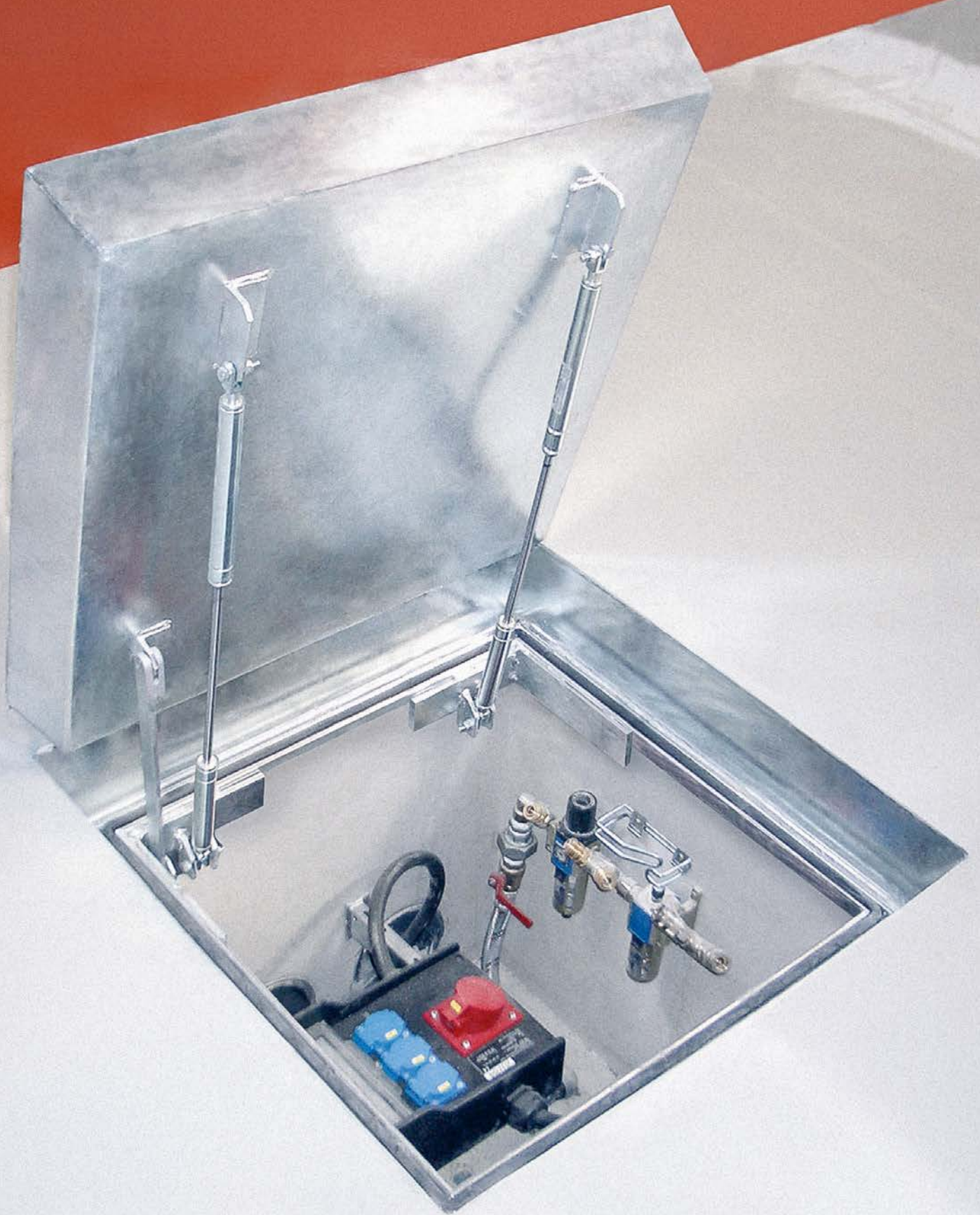
Gas lift-struts



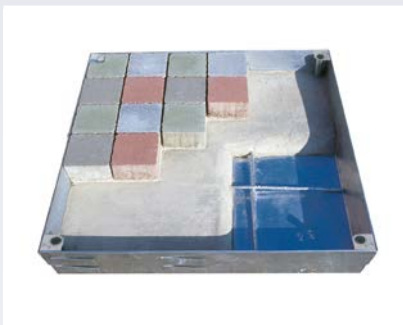
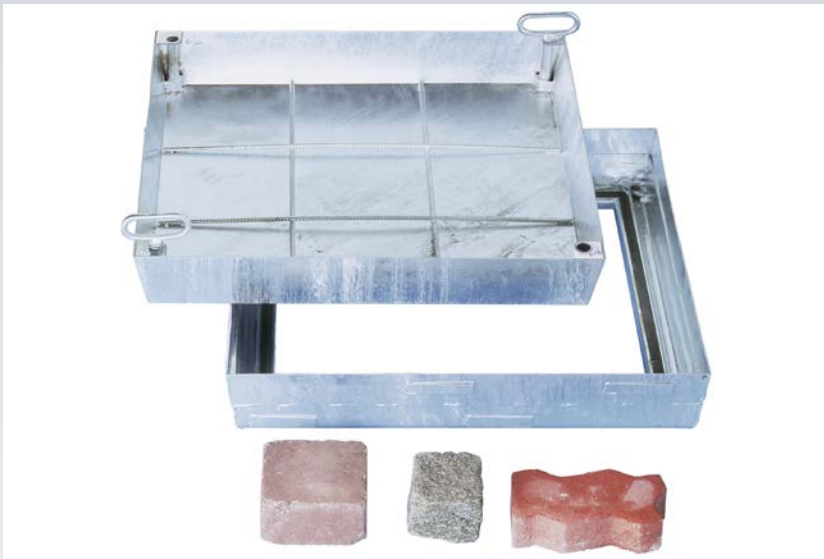
BVE-GD for swimming pool



BVE-GD in family home



BVH-GD maxi in industrial building



**BVH-maxi**  
partially filled with coloured paviers



**BVH-maxi**  
filled with paviers, practically invisible

**Load capacity:** 125 kN test load (EN 124) when filled with a min. 5 cm layer of grade C 35/45 concrete (EN 206)

**Material:** Frame and cover made of, hot-dip galvanized steel or stainless steel grade 304 (also available in grade 316 on request).

**Features:** Sealed cover with 10 cm deep recess. Virtually invisible when installed. EPDM seal. Robust steel mesh reinforcement, crosswise welded. Opening tool included.

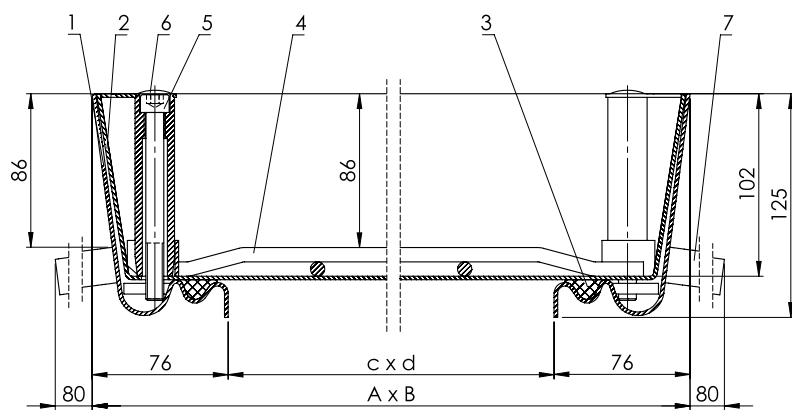
**The Lift-Off opening system:** Every HAGODECK Type BVH-maxi steel cover comes with a set of lifting keys and clear installation instructions. **The HAGO advantage:** jammed covers are released by simply turning the Golden Key.

**Applications:** Inside buildings and their surroundings. Especially for those installations where the cover is to be filled with concrete slabs, bricks, paviers etc.

**Installation:** Installation must be carried out according to our instructions. With water-tight models, care must be taken to seal the outer frame into the surrounding flooring.

**Specification clause:** [www.hago.at](http://www.hago.at)

**BVH-maxi steel/BVEH-maxi stainless steel**



- 1 Frame
- 2 Cover
- 3 Seal
- 4 Reinforcement
- 5 Allen screw
- 6 Plastic cap
- 7 Anchor

Type	Clear dimensions of shaft (≈ cm)	Outside dimensions (≈ cm)	Weight empty approx.	S / O*
<b>Galvanised steel</b>	c x d	A x B		
BVH maxi 33	30 x 30	45,2 x 45,2	15 kg	O
BVH maxi 44	40 x 40	55,2 x 55,2	18 kg	S
BVH maxi 55	50 x 50	65,2 x 65,2	22 kg	S
BVH maxi 64	60 x 40	75,2 x 55,2	22 kg	O
BVH maxi 66	60 x 60	75,2 x 75,2	27 kg	S
BVH maxi 77	70 x 70	85,2 x 85,2	33 kg	S
BVH maxi 86	80 x 60	95,2 x 75,2	32 kg	S
BVH maxi 88	80 x 80	95,2 x 95,2	38 kg	S
BVH maxi 106	100 x 60	115,2 x 75,2	37 kg	S
BVH maxi 108	100 x 80	115,2 x 95,2	44 kg	O
BVH maxi 110	100 x 100	115,2 x 115,2	50 kg	S
<b>Stainless steel</b>				
BVEH maxi 33	30 x 30	45,2 x 45,2	14 kg	O
BVEH maxi 44	40 x 40	55,2 x 55,2	17 kg	O
BVEH maxi 55	50 x 50	65,2 x 65,2	21 kg	O
BVEH maxi 64	60 x 40	75,2 x 55,2	21 kg	O
BVEH maxi 66	60 x 60	75,2 x 75,2	25 kg	S
BVEH maxi 77	70 x 70	85,2 x 85,2	32 kg	O
BVEH maxi 86	80 x 60	95,2 x 75,2	30 kg	O
BVEH maxi 88	80 x 80	95,2 x 95,2	36 kg	S
BVEH maxi 106	100 x 60	115,2 x 75,2	36 kg	O
BVEH maxi 108	100 x 80	115,2 x 95,2	42 kg	O
BVEH maxi 110	100 x 100	115,2 x 115,2	47 kg	O

**Cover depth** ≈ 10.2 cm  
**Installation height** ≈ 12.5 cm  
**Special sizes possible**  
 \*S = available from stock  
 \*O = to order



deep recess cover for infill with paviors – with assisted opening – smell proof, largely water-tight.



Double-piston gas struts



The HAGO BVH-GD maxi is fitted with patented, high-specification double-piston gas struts. (Piston 1: high lift capacity, piston 2: low lift capacity). The forces developed by these double-piston gas struts correspond to a kinked characteristic curve. This is closer to the actual force needed to move the cover. This system reduces the effort required when opening and closing. The comfort aspect is particularly useful in the case of heavy covers.

**Load capacity:** 125 kN test load (EN 124) when filled with a min. 5 cm layer of grade C 35/45 concrete (EN 206)

**Material:** Frame and cover made of, hot-dip galvanized steel or stainless steel grade 304 (also available in grade 316 on request).

**Features:** Comfort-lift access cover. Cover with 10 cm deep recess. With peripheral EPDM seal, smell proof and largely water-tight (not guaranteed to be completely water-tight). Opening tools included. Opening is assisted by the patented double-piston gas struts to such an extent that the cover can be opened and closed by one person. Safety device fitted to prevent the open cover from closing.

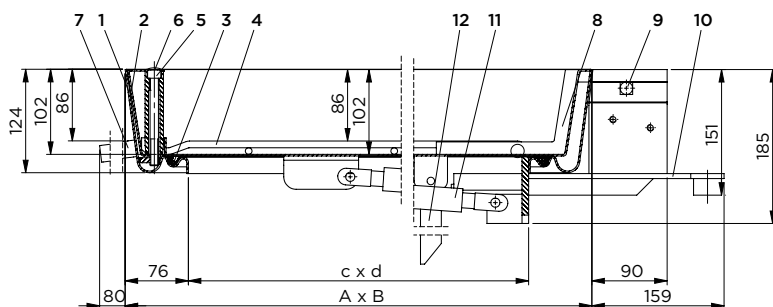
**Applications:** For installations which require access without particular effort. Especially for those installations where the cover is to be filled with concrete slabs, bricks, paving stones or paviors etc.

**Installation:** Please study the enclosed installation instructions carefully before installation and pay attention to our specifications. Care must be taken to seal the outer frame into the surrounding flooring.

**Important note:** For transport-related reasons, the gas struts are not installed. These should be installed after the cover and frame have been installed and filled (concrete must be set), in the open position in accordance with our installation instructions.

**Specification clause:** www.hago.at

BVH-GD maxi steel/BVEH-GD maxi stainless steel



- |                 |                 |                  |
|-----------------|-----------------|------------------|
| 1 Frame         | 5 Allen screw   | 10 Anchor        |
| 2 Cover         | 6 Plastic cap   | 11 Gas strut     |
| 3 Seal          | 7 Anchor        | 12 Safety device |
| 4 Reinforcement | 8 Reinforcement |                  |
|                 | 9 Hinge         |                  |

Type	Clear dimensions of shaft (≈ cm)	Outside dimensions (≈ cm)	Weight empty approx.	S / O*
<b>Galvanised steel</b>	c x d	A x B		
BVH-GD maxi 66	60 x 60	75 x 75	51 kg	S
BVH-GD maxi 86	80 x 60	95 x 75	57 kg	O
BVH-GD maxi 88	80 x 80	95 x 95	64 kg	S
BVH-GD maxi 106	100 x 60	115 x 75	63 kg	O
BVH-GD maxi 108	100 x 80	115 x 95	79 kg	O
BVH-GD maxi 110	100 x 100	115 x 115	85 kg	O
<b>Stainless steel</b>				
BVEH-GD maxi 66	60 x 60	75 x 75	48 kg	O
BVEH-GD maxi 86	80 x 60	95 x 75	54 kg	O
BVEH-GD maxi 88	80 x 80	95 x 95	60 kg	O
BVEH-GD maxi 106	100 x 60	115 x 75	59 kg	O
BVEH-GD maxi 108	100 x 80	115 x 95	74 kg	O
BVEH-GD maxi 110	100 x 100	115 x 115	80 kg	O

Cover depth ≈ 10.2 cm

Installation height ≈ 12.5 cm

Special sizes possible

\*S = available from stock

\*O = to order



## BVHS-GD 400 steel galvanised BVEHS-GD 400 stainless steel

deep recess cover for forklift operation or paving stone filling with assisted opening – odor and largely water-tight



**BVHS-GD 400**  
open

**Load Capacity:** 400 kN test load (EN 124) when filled with a min. 5 cm layer of grade C35/45 concrete (EN 206).

**Material:** Frame and cover in 2 mm cold-formed precision steel profiles. Underside of cover reinforced with steel girder. The frame is reinforced with an additional frame. Hot-dip galvanised or stainless steel grade 304 (also available in grade 316 on request). High-load hinges. High-specification double-piston gas struts. EPDM seal. Robust steel mesh reinforcement.

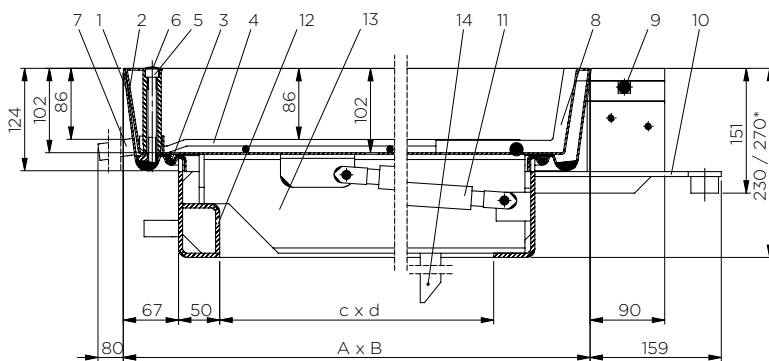
**Features:** Comfort-lift access cover. Cover with 10 cm deep recess. With peripheral EPDM seal, smell proof and largely water-tight (not guaranteed to be completely water-tight). Opening tools included. Opening is assisted by the patented double-piston gas struts to such an extent that the cover can be opened and closed by one person. Safety device fitted to prevent the open cover from closing. The access cover has a water drain nozzle. There is the option (if required) to connect a drain (pipe or hose). Thereby, water is directly routed out of the frame and the water tightness of the access cover is increased.

**Applications:** For use in vehicle traffic areas (e.g. fork lift) and areas surrounding buildings or for secondary traffic areas (pedestrian zones). For installations which require access without particular effort. Especially for those installations where the cover is to be filled with concrete slabs, bricks, paving stones or paviors etc.

**Installation:** Please study the enclosed installation instructions carefully before installation and pay attention to our specifications. Care must be taken to seal the outer frame into the surrounding flooring.

**Specification clause:** [www.hago.at](http://www.hago.at)

BVHS-GD 400 steel galvanised/BVEHS-GD 400 stainless steel



- |                 |                 |                                    |
|-----------------|-----------------|------------------------------------|
| 1 Frame         | 6 Plastic cap   | 11 Gas strut                       |
| 2 Cover         | 7 Anchor        | 12 Frame reinforcement (sub-frame) |
| 3 Seal          | 8 Reinforcement | 13 Cover reinforcement             |
| 4 Reinforcement | 9 Hinge         | 14 Safety device                   |
| 5 Allen screw   | 10 Anchor       |                                    |

Type	Clear dimensions of shaft (≈ cm)	Outside dimensions (≈ cm)	Weight empty approx.	S / O*
<b>Galvanised steel</b>	c x d	A x B		
BVHS-GD 400/66	60 x 60	75,2 x 83,8	90 kg	O
BVHS-GD 400/86	80 x 60	95,2 x 83,8	115 kg	O
BVHS-GD 400/88	80 x 80	95,2 x 103,8	133 kg	S
BVHS-GD 400/106	100 x 60	115,2 x 83,8	122 kg	O
BVHS-GD 400/110	100 x 100	115,2 x 123,8	209 kg	O
<b>Stainless steel</b>				
BVEHS-GD 400/66	60 x 60	75,2 x 83,8	87 kg	O
BVEHS-GD 400/86	80 x 60	95,2 x 83,8	112 kg	O
BVEHS-GD 400/88	80 x 80	95,2 x 103,8	132 kg	O
BVEHS-GD 400/106	100 x 60	115,2 x 83,8	115 kg	O
BVEHS-GD 400/110	100 x 100	115,2 x 123,8	197 kg	O

**Installation depth:** 10,2 cm

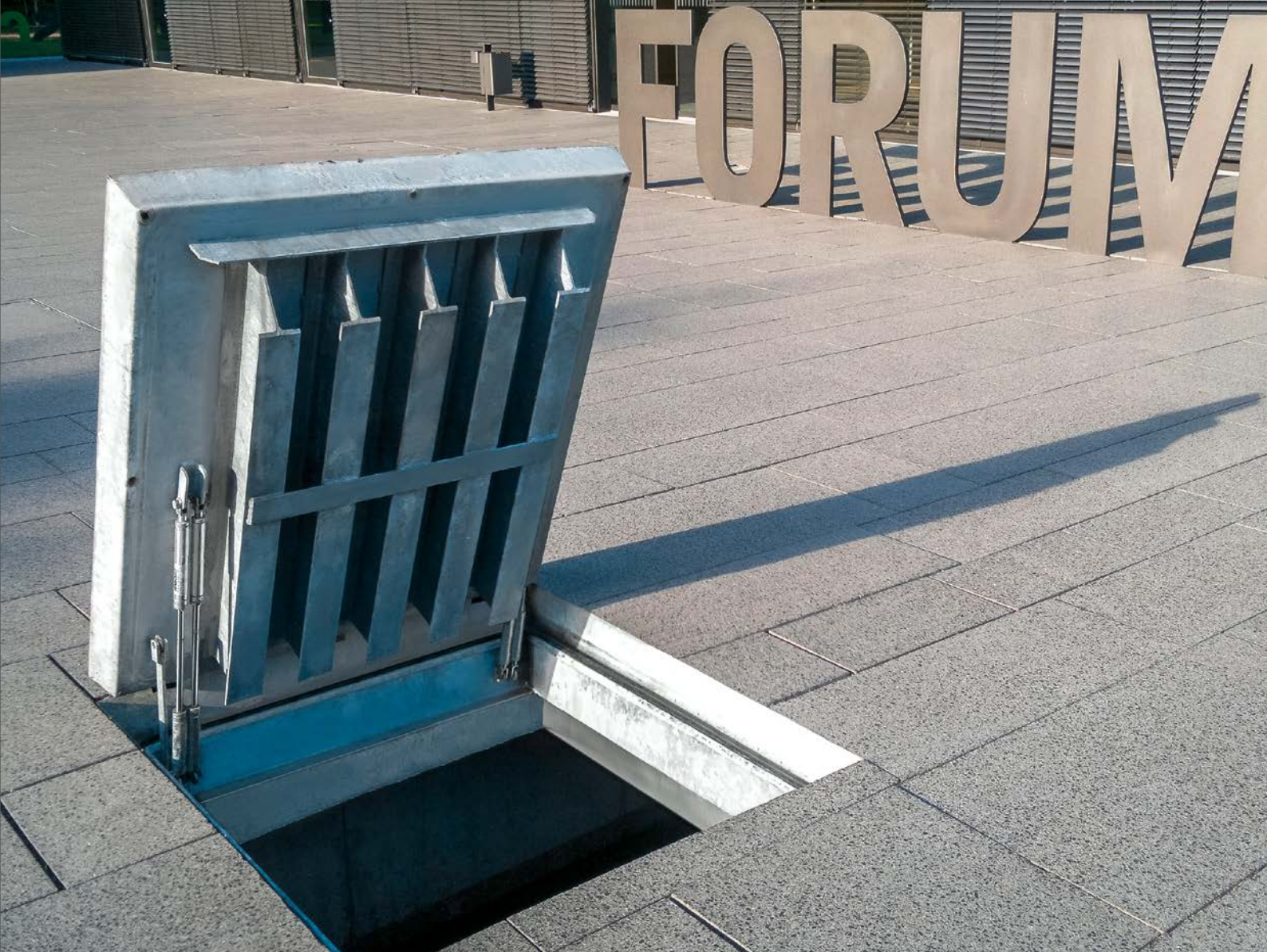
**free height:** BVHS 400/88 approx. 23cm

BVHS 400/110 approx 27cm

**Special sizes possible**

\*S = article available from stock

\*O = article is manufactured on request



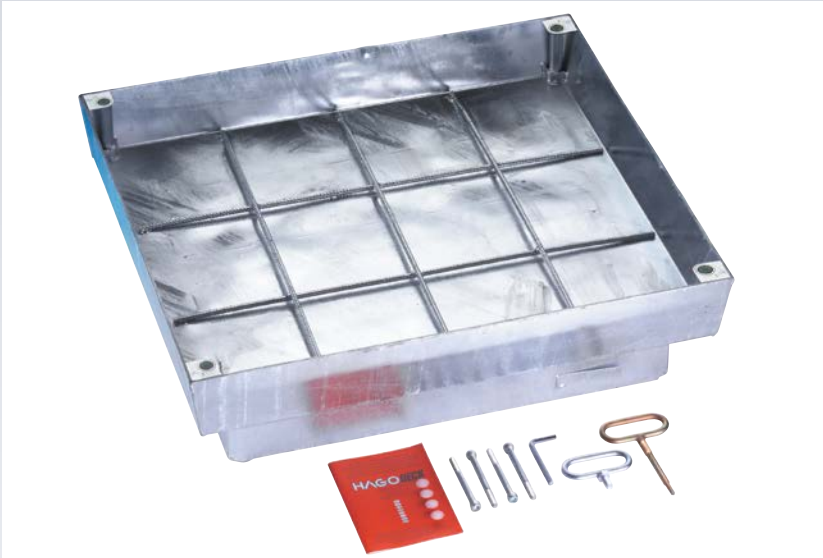
BVHS-GD 400  
University campus



**BVEHS 250 steel,**  
front square



deep recess cover for forklift operation or paving stone filling – odor and waterproof



**BVHS-250**

The bottom of the cover is reinforced with IPE-beam section and flat steel

**Load capacity:** 250 kN test load (EN 124) when filled with a min. 5 cm concrete.

**Material:** Frame and cover made of, hot-dip galvanized steel or or stainless steel grade 304 (also available in grade 316 on request).

**Features:** Heavy-duty sealed cover with 10 cm deep recess. Underside of cover reinforced with steel girders.

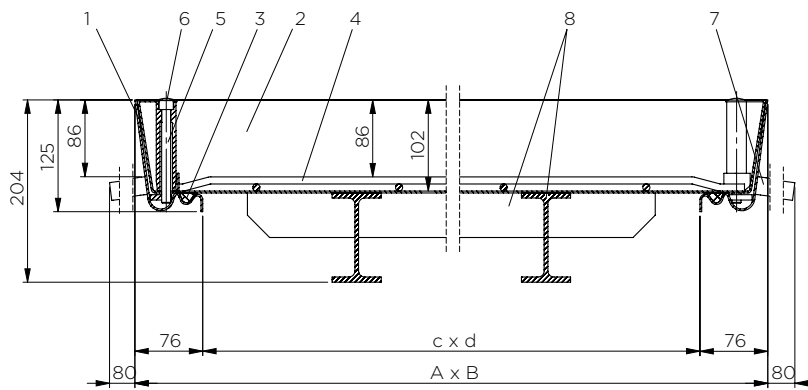
**The Lift-Off opening system:** Every HAGODECK Type BVHS cover comes with a set of lifting keys and precise installation instructions. **The HAGO advantage:** jammed covers are released by simply turning the Golden Key.

**Applications:** For use in vehicle traffic areas in industrial buildings and areas surrounding buildings or for secondary traffic areas (pedestrian zones). Especially for those installations where the cover is to be filled with concrete slabs, bricks, paviors etc.

**Installation:** Installation must be carried out according to our instructions. With water-tight models, care must be taken to seal the outer frame into the surrounding flooring.

**Specification clause:** www.hago.at

**BVHS 250 steel/BVEHS 250 stainless steel**



- 1 Frame
- 2 Cover
- 3 Seal
- 4 Reinforcement
- 5 Allen screw
- 6 Plastic cap
- 7 Anchor
- 8 Reinforcement

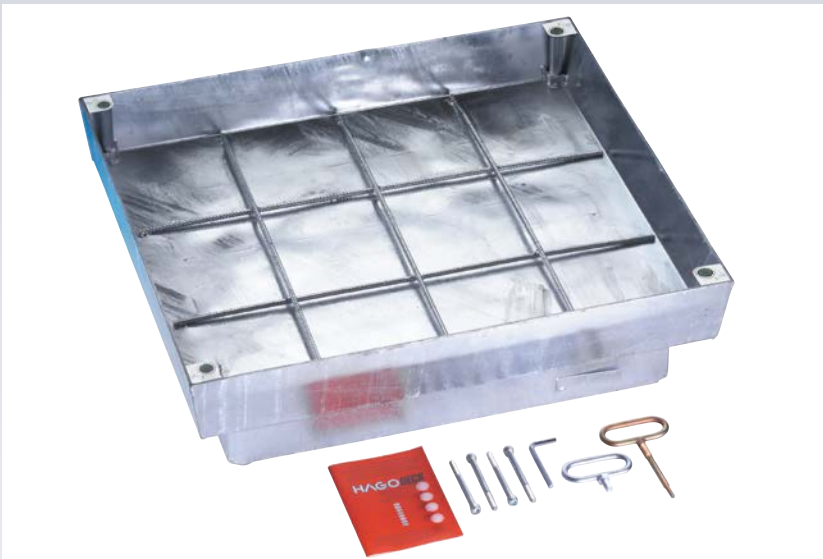
Type	Clear dimensions of shaft (≈ cm)	Outside dimensions (≈ cm)	Weight empty approx.	S / O*
<b>Galvanised steel</b>	c x d	A x B		
BVHS 250/44	40 x 40	55,2 x 55,2	26 kg	S
BVHS 250/55	50 x 50	65,2 x 65,2	33 kg	S
BVHS 250/64	60 x 40	75,2 x 55,2	31 kg	O
BVHS 250/66	60 x 60	75,2 x 75,2	39 kg	S
BVHS 250/86	80 x 60	95,2 x 75,2	50 kg	O
BVHS 250/88	80 x 80	95,2 x 95,2	61 kg	S
BVHS 250/106	100 x 60	115,2 x 75,2	61 kg	O
BVHS 250/108	100 x 80	115,2 x 95,2	74 kg	O
BVHS 250/110	100 x 100	115,2 x 115,2	85 kg	O
<b>Stainless steel</b>				
BVEHS 250/44	40 x 40	55,2 x 55,2	25 kg	O
BVEHS 250/55	50 x 50	65,2 x 65,2	32 kg	O
BVEHS 250/64	60 x 40	75,2 x 55,2	30 kg	O
BVEHS 250/66	60 x 60	75,2 x 75,2	38 kg	O
BVEHS 250/86	80 x 60	95,2 x 75,2	49 kg	O
BVEHS 250/88	80 x 80	95,2 x 95,2	61 kg	O
BVEHS 250/106	100 x 60	115,2 x 75,2	61 kg	O
BVEHS 250/108	100 x 80	115,2 x 95,2	74 kg	O
BVEHS 250/110	100 x 100	115,2 x 115,2	88 kg	O

**Cover depth** ≈ 10.2 cm,  
**Installation height** ≈ 12.5 cm  
**Steel girders penetrate** ≈ 10 cm into the shaft  
**Special sizes possible**  
\*S = available from stock \*O = to order



# BVHS 400 steel BVEHS 400 stainless steel

deep recess cover for forklift operation or paving stone filling – odor and waterproof



### BVHS-400

Bottom with additional frame, reinforced with IPE-beam section and flat steel

**Load capacity:** 400 kN test load (EN 124) when filled with a min. 5 cm concrete.

**Material:** Frame and cover made of, hot-dip galvanized steel or or stainless steel grade 304 (also available in grade 316 on request).

**Features:** Heavy-duty sealed cover with 10 cm deep recess. Underside of cover reinforced with steel girders. In Type BVHS 400, the frame is reinforced with an additional frame. EPDM seal. Robust steel mesh reinforcement.

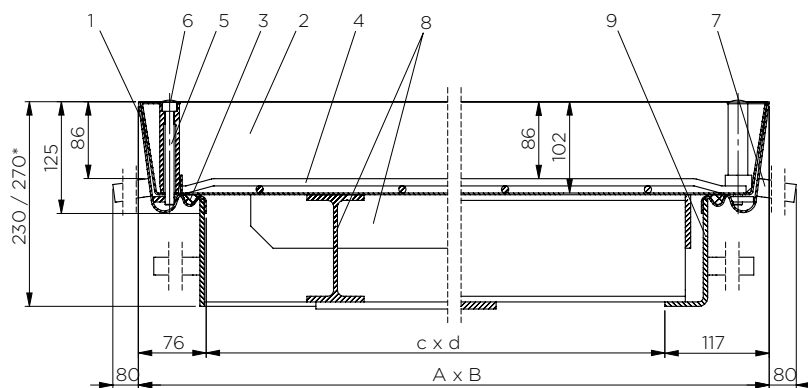
**The Lift-Off opening system:** Every HAGODECK Type BVHS cover comes with a set of lifting keys and precise installation instructions. **The HAGO advantage:** jammed covers are released by simply turning the Golden Key.

**Applications:** For use in vehicle traffic areas in industrial buildings (e.g. forklift traffic) and areas surrounding buildings or for secondary traffic areas (pedestrian zones). Especially for those installations where the cover is to be filled with concreteslabs, bricks, paviors etc.

**Installation:** Installation must be carried out according to our instructions. With water-tight models, care must be taken to seal the outer frame into the surrounding flooring.

**Specification clause:** [www.hago.at](http://www.hago.at)

### BVHS 400 steel/BVEHS 400 stainless steel



- 1 Frame
- 2 Cover
- 3 Seal
- 4 Reinforcement
- 5 Allen screw
- 6 Plastic cap
- 7 Anchor
- 8 Reinforcement
- 9 Reinforcing frame (only with BVHS 400)

Type	Clear dimensions of shaft (≈ cm)	Outside dimensions (≈ cm)	Weight empty approx.	S / O*
<b>Galvanised steel</b>	c x d	A x B		
BVHS 400/44	40 x 40	55,2 x 63,2	49 kg	S
BVHS 400/55	50 x 50	65,2 x 73,2	60 kg	S
BVHS 400/64	60 x 40	75,2 x 63,2	57 kg	O
BVHS 400/66	60 x 60	75,2 x 83,2	69 kg	S
BVHS 400/86	80 x 60	95,2 x 83,2	95 kg	O
BVHS 400/88	80 x 80	95,2 x 103,2	115 kg	S
BVHS 400/106	100 x 60	115,2 x 83,2	113 kg	O
BVHS 400/108	100 x 80	115,2 x 103,2	150 kg	O
BVHS 400/110	100 x 100	115,2 x 123,2	188 kg	O
<b>Stainless steel</b>				
BVEHS 400/44	40 x 40	55,2 x 63,2	48 kg	O
BVEHS 400/55	50 x 50	65,2 x 73,2	58 kg	O
BVEHS 400/64	60 x 40	75,2 x 63,2	56 kg	O
BVEHS 400/66	60 x 60	75,2 x 83,2	69 kg	O
BVEHS 400/86	80 x 60	95,2 x 83,2	94 kg	O
BVEHS 400/88	80 x 80	95,2 x 103,2	113 kg	O
BVEHS 400/106	100 x 60	115,2 x 83,2	143 kg	O
BVEHS 400/108	100 x 80	115,2 x 103,2	155 kg	O
BVEHS 400/110	100 x 100	115,2 x 123,2	188 kg	O

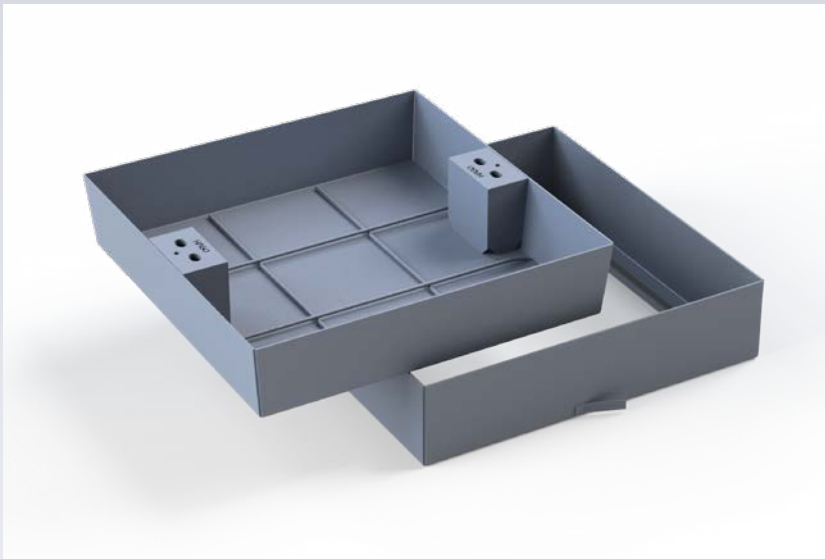
**Cover depth** ≈ 10.2 cm

**Installation heights:** up to BVHS 400/ 88 ≈ 23 cm

BVHS 400/110 ≈ 27 cm

**Special sizes possible**

\*S = available from stock \*O = to order



**Load capacity:** 125 kN test load EN 124 at min. 5 cm concrete grade C35/45 (EN 206)

**Material:** Frame and cover made of

**BVXH:** Frame and cover made of sheet steel. Hot-dip galvanized. Good chemical resistant special gasket.

**BVEXH:** Frame and cover made of stainless steel grade 304 or on request grade 316. After welding full bath pickling. Good chemical resistant special sealing

**Features:** Extra deep recess design. Ideal access cover for the building forecourt area. In the **150 mm deep recess cover** paving stones up to 100 mm in height can be fit. Thanks to EPDM sealing the cover is odor-proof and largely watertight.

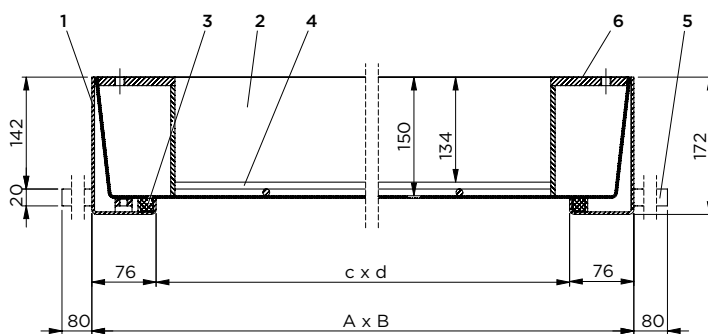
**Lifting plates:** The lift-out plates are fitted with 2 slot holes (for common lifting tools, not included in delivery ) and a thread for the HAGOlifter (lifting device).

**Application:** Access cover built for use at building forecourt for **up to 100 mm high** paving stones, concrete blocks etc.

**Installation:** Installation must be carried out according to our instructions. With water-tight models, care must be taken to seal the outer frame into the surrounding flooring.

**Specification clause:** www.hago.at

BVXH steel/BVEXH stainless steel



- |         |                 |                 |
|---------|-----------------|-----------------|
| 1 Frame | 3 Seal          | 5 Anchor        |
| 2 Cover | 4 Reinforcement | 6 Lifting plate |

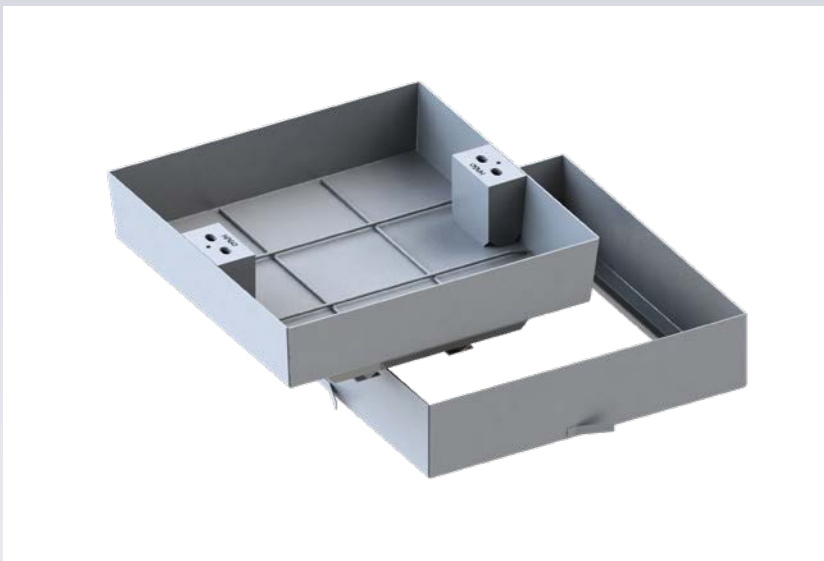
Type	Clear dimensions of shaft (≈ cm)	Outside dimensions (≈ cm)	Weight empty approx.	S / O*
<b>Galvanised steel</b>	c x d	A x B		
BVXH 66	60 x 60	75,2 x 75,2	48 kg	O
BVXH 88	80 x 80	95,2 x 95,2	65 kg	O
BVXH 110	100 x 100	115,2 x 115,2	84 kg	O
<b>Stainless steel</b>				
BVEXH 66	60 x 60	75,2 x 75,2	48 kg	O
BVEXH 88	80 x 80	95,2 x 95,2	65 kg	O
BVEXH 110	100 x 100	115,2 x 115,2	84 kg	O

Special sizes possible

Special heights (recess depths) possible

\*S = available from stock

\*O = to order



BVXHS 250

**Load capacity:** 250 kN test load EN 124 at min. 5 cm concrete grade C35/45 (EN 206)

**Material:** Frame and cover made of

**BVXHS 250:** Frame and cover made of sheet steel. Hot-dip galvanized. Good chemical resistant special gasket.

**BVEXHS 250:** Frame and cover made of stainless steel grade 304 or on request grade 316. After welding full bath pickling. Good chemical resistant special sealing

**Features:** Extra deep recess design. Ideal access cover for truck accessible areas in the building forecourt. In the **150 mm deep recess cover** paving stones up to 100 mm in height can be fit. HAGODECK types BVXHS 250 and BVEXHS 250 convince by high load capacity and stable construction. Thanks to EPDM seal the cover is odor-proof and largely watertight.

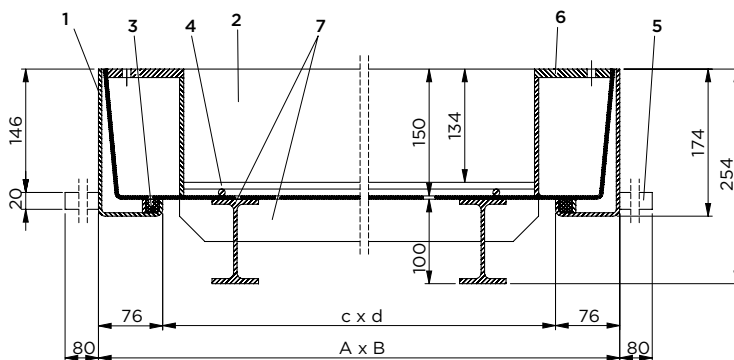
**Lifting plates:** The lift-out plates are fitted with 2 slot holes (for common lifting tools, not included in delivery ) and a thread for the HAGolifter (lifting device).

**Applications:** As truck accessible access cover in warehouses and building forecourt areas. For paving stones **up to 100 mm high**, concrete blocks etc.

**Installation:** Installation must be carried out according to our instructions. With water-tight models, care must be taken to seal the outer frame into the surrounding flooring.

**Specification clause:** [www.hago.at](http://www.hago.at)

BVXHS 250 steel/BVEXHS 250 stainless steel



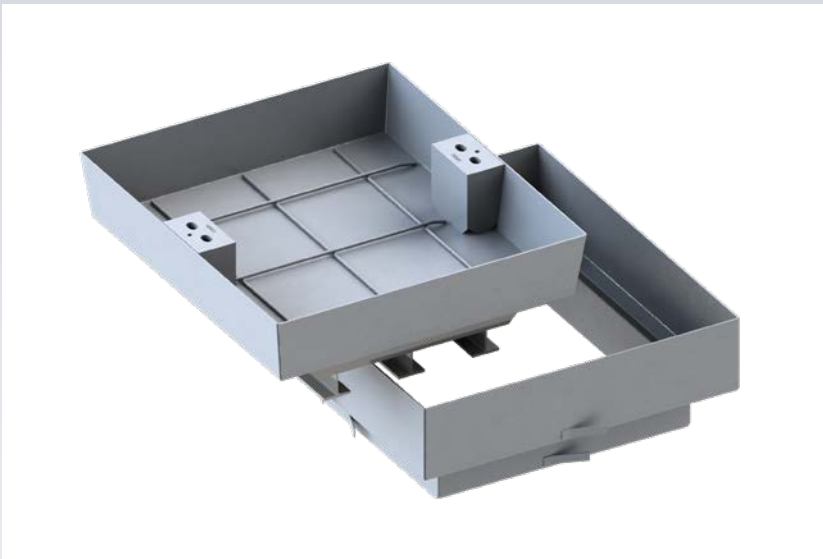
- 1 Frame
- 2 Cover
- 3 Seal
- 4 Reinforcement
- 5 Anchor
- 6 Lifting plate
- 7 Reinforcement

Type	Clear dimensions of shaft (≈ cm)	Outside dimensions (≈ cm)	Weight empty approx.	S / O*
<b>Galvanised steel</b>	c x d	A x B		
BVXHS 250 66	60 x 60	75,2 x 75,2	72 kg	O
BVXHS 250 88	80 x 80	95,2 x 95,2	101 kg	O
BVXHS 250 110	100 x 100	115,2 x 115,2	140 kg	O
<b>Stainless steel</b>				
BVEXHS 250 66	60 x 60	75,2 x 75,2	72 kg	O
BVEXHS 250 88	80 x 80	95,2 x 95,2	101 kg	O
BVEXHS 250 110	100 x 100	115,2 x 115,2	140 kg	O

**Special sizes possible**  
**Special cover depth possible**

\*S = available from stock  
\*O = to order





BVXHS 400

**Belastung:** Load capacity: 400 kN test load EN 124 at min. 5 cm concrete grade C35/45 (EN 206)

**Material:** Frame and cover made of

**BVXHS 400:** Frame and cover made of sheet steel. Hot-dip galvanized. Good chemical resistant special gasket.

**BVEXHS 400:** Frame and cover made of stainless steel grade 304 or on request grade 316. After welding full bath pickling. Good chemical resistant special sealing

**Features:** Extra deep recess design. Ideal access cover for truck accessible areas in the building forecourt. In the **150 mm deep recess cover** paving stones up to 100 mm in height can be fit. HAGODECK types BVXHS 250 and BVEXHS 250 convince by high load capacity and stable construction. Thanks to EPDM seal the cover is odor-proof and largely watertight.

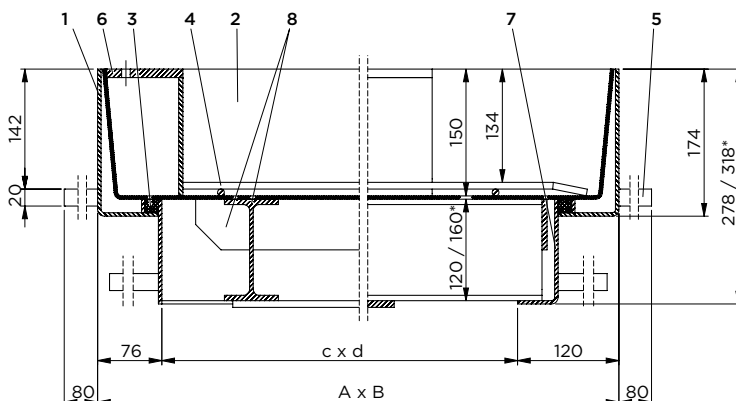
**Lifting plates:** The lift-out plates are fitted with 2 slot holes (for common lifting tools, not included in delivery ) and a thread for the HAGolifter (lifting device).

**Applications:** As truck accessible access cover in warehouses and building forecourt areas. For paving stones **up to 100 mm high**, concrete blocks etc.

**Installation:** Installation must be carried out according to our instructions. With water-tight models, care must be taken to seal the outer frame into the surrounding flooring.

**Specification clause:** [www.hago.at](http://www.hago.at)

BVXHS 400 steel/BVEXHS 400 stainless steel



- |         |                 |                       |
|---------|-----------------|-----------------------|
| 1 Frame | 4 Reinforcement | 7 reinforcement frame |
| 2 Cover | 5 Anchor        | 8 reinforcement       |
| 3 Seal  | 6 Lifting plate |                       |

Type	Clear dimensions of shaft (≈ cm)	Outside dimensions (≈ cm)	Weight empty approx.	S / O*
<b>Galvanised steel</b>	c x d	A x B		
BVXHS 400 66	60 x 60	76 x 84	100 kg	O
BVXHS 400 88	80 x 80	96 x 104	151 kg	O
BVXHS 400 110	100 x 100	116 x 124	178 kg	O
<b>Stainless steel</b>				
BVEXHS 400 66	60 x 60	76 x 84	100 kg	O
BVEXHS 400 88	80 x 80	96 x 104	151 kg	O
BVEXHS 400 110	100 x 100	116 x 124	178 kg	O

**Special sizes possible**  
**Special cover depth possible**

\*S = available from stock  
\*O = to order



**Type RV steel: Load capacity:** 15 kN test load EN 124.

**Material:** Frame made of 2 mm cold formed precision steel profiles. Hot dip galvanised. Durbar-plate cover.

**Features:** Odor and waterproof and flat design. Good chemical resistant special seal. Opening tool included.

**Applications:** For pedestrian use covers inside building and their surrounding area, in particular for inspection chambers.

**Installation:** Installation must be carried out according to our instructions. With water-tight models, care must be taken to seal the outer frame into the surrounding flooring.

**Specification clause:** www.hago.at

**RV steel**

1 Frame                      4 Allen screw                      7 Plastic cap  
2 Durbar-plate cover      5 Anchor  
3 Seal                          6 Socket

Type	Clear dimensions of shaft (≈ cm)	Outside dimensions (≈ cm)	Weight approx.	S / O*
	c x d	A x B		
RV 55	50 x 50	60,5 x 60,5	23 kg	S
RV 64	60 x 40	70,5 x 50,5	22 kg	S
RV 66	60 x 60	70,5 x 70,5	29 kg	S
RV 86	80 x 60	90,5 x 70,5	37 kg	S
RV 88	80 x 80	90,5 x 90,5	45 kg	S
RV 106	100 x 60	110,5 x 70,5	44 kg	S
RV 108	100 x 80	110,5 x 90,5	55 kg	O
RV 110	100 x 100	110,5 x 110,5	66 kg	S

Installation height ≈ 6 cm **Special sizes possible**  
\*S = available from stock \*O = to order



**Type RVE stainless steel: Load capacity:** 15 kN test load EN 124.

**Material:** Frame, plate and reinforcement in grade 304 stainless steel (on request also available in grade 316 stainless steel).

**Features:** Odor and waterproof and flat design. Good chemical resistant special seal. Opening tool included.

**Applications:** For pedestrian use covers inside building and their surrounding area, in particular for inspection chambers where absolut corrosion-resistance is of great advantage.

**Installation:** Installation must be carried out according to our instructions. With water-tight models, care must be taken to seal the outer frame into the surrounding flooring.

**Specification clause:** www.hago.at

**RVE stainless steel**

1 Frame                      4 Allen screw                      7 Plastic cap  
2 Durbar-plate cover      5 Anchor  
3 Seal                          6 Socket

Type	Clear dimensions of shaft (≈ cm)	Outside dimensions (≈ cm)	Weight approx.	S / O*
	c x d	A x B		
RVE 22	20 x 20	30,5 x 30,5	7 kg	S
RVE 33	30 x 30	40,5 x 40,5	10 kg	S
RVE 44	40 x 40	50,5 x 50,5	16 kg	S
RVE 55	50 x 50	60,5 x 60,5	21 kg	S
RVE 64	60 x 40	70,5 x 50,5	21 kg	S
RVE 66	60 x 60	70,5 x 70,5	28 kg	S
RVE 86	80 x 60	90,5 x 70,5	35 kg	S
RVE 88	80 x 80	90,5 x 90,5	43 kg	S
RVE 106	100 x 60	110,5 x 70,5	41 kg	S
RVE 108	100 x 80	110,5 x 90,5	51 kg	O
RVE 110	100 x 100	110,5 x 110,5	62 kg	S

Installation height ≈ 6 cm **Special sizes possible**  
Specification clause: hago.at



**Load capacity:** 125 kN, 250 kN or 400 kN test load according to EN 124

**Material: RVS:** Frame made of hot-dip galvanized steel. Durbar-plate cover 6 mm (125 kN and 250 kN) or 8 mm (400 kN) and reinforced underside. Good chemical resistance special seal.

**RVES:** Frame, Durbar-plate and reinforcement made of stainless steel grade (SS 304) on request also available in grade (SS 316). Good chemical resistant special seal

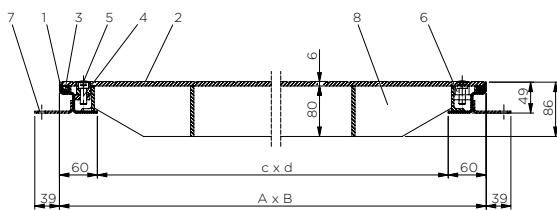
**Features: RVS or RVES in heavy-duty design:** Durbar-plate cover with high load-bearing capacity. The ideal solution for secondary traffic areas with car or truck traffic and factory halls. Due to the EPDM seal, the cover is largely odor and waterproof. Installation instructions and removal key are included.

**Application:** For use in vehicle traffic areas in industrial buildings and secondary traffic solutions.

**Installation:** Installation must be carried out according to our instructions. With water-tight models, care must be taken to seal the outer frame into the surrounding flooring.

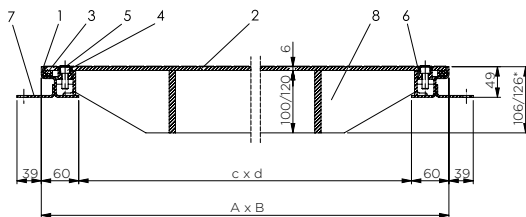
**Specification clause:** www.hago.at

**RVS 125**



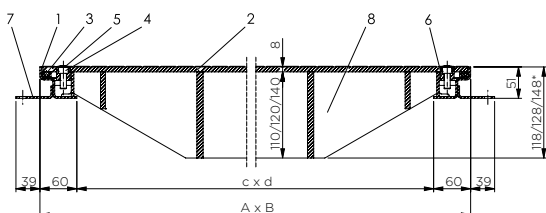
- 1 Frame
- 2 Durbar-plate cover
- 3 Seal
- 4 Allen screw
- 5 Plastic cap
- 6 Socket
- 7 Anchor
- 8 Reinforcement

**RVS 250**



- 1 Frame
- 2 Durbar-plate cover
- 3 Seal
- 4 Allen screw
- 5 Plastic cap
- 6 Socket
- 7 Anchor
- 8 Reinforcement

**RVS 400**



- 1 Frame
- 2 Durbar-plate cover
- 3 Seal
- 4 Allen screw
- 5 Plastic cap
- 6 Socket
- 7 Anchor
- 8 Reinforcement

Type	Clear dimensions of shaft (≈ cm)	Outside dimensions (≈ cm)	Weight approx.	S / O'
<b>Galvanised steel</b>	c x d	A x B		
RVS 125 / 66	60 x 60	72 x 72	43 kg	O
RVS 125 / 88	80 x 80	92 x 92	70 kg	O
RVS 125 / 110	100 x 100	112 x 112	106 kg	O
<b>Stainless steel</b>				
RVES 125 / 66	60 x 60	72 x 72	43 kg	O
RVES 125 / 88	80 x 80	92 x 92	70 kg	O
RVES 125 / 110	100 x 100	112 x 112	106 kg	O

Special sizes possible

Type	Clear dimensions of shaft (≈ cm)	Outside dimensions (≈ cm)	Weight approx.	S / O'
<b>Galvanised steel</b>	c x d	A x B		
RVS 250 / 66	60 x 60	72 x 72	49 kg	O
RVS 250 / 88	80 x 80	92 x 92	78 kg	O
RVS 250 / 110	100 x 100	112 x 112	124 kg	O
<b>Stainless steel</b>				
RVES 250 / 66	60 x 60	72 x 72	49 kg	O
RVES 250 / 88	80 x 80	92 x 92	78 kg	O
RVES 250 / 110	100 x 100	112 x 112	124 kg	O

Special sizes possible

Type	Clear dimensions of shaft (≈ cm)	Outside dimensions (≈ cm)	Weight approx.	S / O'
<b>Galvanised steel</b>	c x d	A x B		
RVS 400 / 66	60 x 60	72 x 72	68 kg	O
RVS 400 / 88	80 x 80	92 x 92	107 kg	O
RVS 400 / 110	100 x 100	112 x 112	155 kg	O
<b>Stainless steel</b>				
RVES 400 / 66	60 x 60	72 x 72	68 kg	O
RVES 400 / 88	80 x 80	92 x 92	107 kg	O
RVES 400 / 110	100 x 100	112 x 112	155 kg	O

Special sizes possible



**Type BR-D steel:**

**Material:** Steel-plate cover, frame made of cold formed sections. Hot-dip galvanised. With hinge. Cover can be removed from the open position. Covered hasp locking device (padlock not included). Ventilation pipe (Ø 10 cm) fitted with cowl and insect-excluding mesh. Sealed with hollow chamber seal.

**Applications:** For individual wells, spring water catchments, high-level tanks etc.

**BR-D steel**

- 1 Frame
- 2 Cover
- 3 Seal
- 4 Ventilation tube with cowl and insect-excluding mesh
- 5 Hinge
- 6 Hasp locking device for padlock with protective cover

Dimensions: 264, 12, 35, 40, c x d, A x B

Type	Clear dimensions of shaft (≈ cm)	Outside dimensions (≈ cm)	Weight approx.	S / O*
	c x d	A x B		
BR-D 55	49,5 x 49,5	56,5 x 56,5	15 kg	S
BR-D 66	59,5 x 59,5	66,5 x 66,5	18 kg	S
BR-D 88	79,5 x 79,5	86,5 x 86,5	21 kg	S

**Total height including ventilation cylinder ≈ 30 cm.**  
\*S = available from stock  
\*O = to order

**RG steel**  
Solid-top, non sealed covers



**Type RG steel:**

**Load capacity:** pedestrian

**Material:** Frame fabricated from rolled sections, durbar-plate cover. Hot dip galvanised.

**Features:** Simple durbar-plate pedestrian area cover with recessed fastener. Non-sealed cover. Lifting key included.

**Applications:** For simple covers used subordinately.

**Specification clause:** www.hago.at

**RG steel**

- 1 Frame
- 2 Cover
- 3 Anchor
- 4 Recessed fastener

Dimensions: 5, 29, 33, 34, c x d, A x B

Type	Clear dimensions of shaft (≈ cm)	Outside dimensions (≈ cm)	Weight approx.	S / O*
	c x d	A x B		
RG 33	27,3 x 27,3	34 x 34	4 kg	S
RG 44	37,3 x 37,3	44 x 44	6 kg	S
RG 55	47,3 x 47,3	54 x 54	9 kg	S
RG 64	57,3 x 37,3	64 x 44	8 kg	S
RG 66	57,3 x 57,3	64 x 64	12 kg	S
RG 88	77,3 x 77,3	84 x 84	20 kg	S
RG 106	97,3 x 57,3	104 x 64	20 kg	S

**Installation height ≈ 3 cm**  
\*S = available from stock  
\*O = to order



**Load capacity:** 15 kN test load EN 124.

**Material:** Frame made of aluminium extruded sections. Cover made of 3,0/4,5 mm aluminium chequerplate. Aluminium reinforcement to the underside. Stainless steel screws.

**Features:** Odor and waterproof design. Good chemical resistant special seal. Absolutely rustproof. Low weight. Opening tool included.

**Applications:** For pedestrian use inside buildings and their surroundings, particularly where corrosion-resistance and/or low weight are of great advantage.

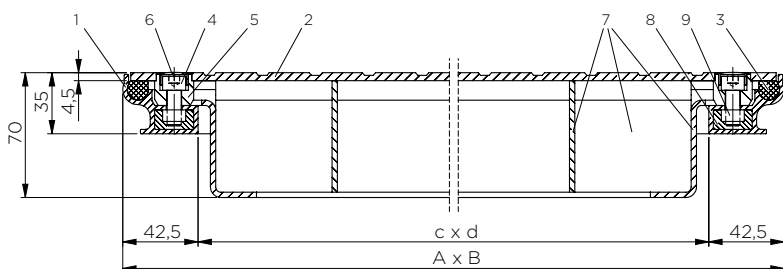
**Installation:** Installation must be carried out according to our instructions. With water-tight models, care must be taken to seal the outer frame into the surrounding flooring.

**Specification clause:** [www.hago.at](http://www.hago.at)



Reinforced bottom

### RVA Alu



- |                                 |                                    |                                |
|---------------------------------|------------------------------------|--------------------------------|
| 1 Frame                         | 5 Socket                           | 9 Square nut (stainless steel) |
| 2 Plate cover                   | 6 Plastic cap                      |                                |
| 3 Seal                          | 7 Cover reinforcement              |                                |
| 4 Allen screw (stainless steel) | 8 Injection-moulded part (plastic) |                                |

Type	Clear dimensions of shaft (≈ cm)	Outside dimensions (≈ cm)	Weight approx.	S / O*
	c x d	A x B		
RVA 22	20 x 20	28,5 x 28,5	2 kg	S
RVA 33	30 x 30	38,5 x 38,5	3 kg	S
RVA 44	40 x 40	48,5 x 48,5	4 kg	S
RVA 55	50 x 50	58,5 x 58,5	5 kg	S
RVA 64	60 x 40	68,5 x 48,5	5 kg	S
RVA 66	60 x 60	68,5 x 68,5	8 kg	S
RVA 86	80 x 60	88,5 x 68,5	10 kg	S
RVA 88	80 x 80	88,5 x 88,5	12 kg	S
RVA 106	100 x 60	108,5 x 68,5	12 kg	S
RVA 108	100 x 80	108,5 x 88,5	15 kg	S
RVA 110	100 x 100	108,5 x 108,5	18 kg	S

**Installation height** ≈ 3.5 cm

**Total height including reinforcement of bottom** ≈ 7 cm

**Special sizes possible**

\*S = available from stock

\*O = to order



CRVA Alu closed



CRVA Alu open

**Load capacity:** 15 kN test load EN 124

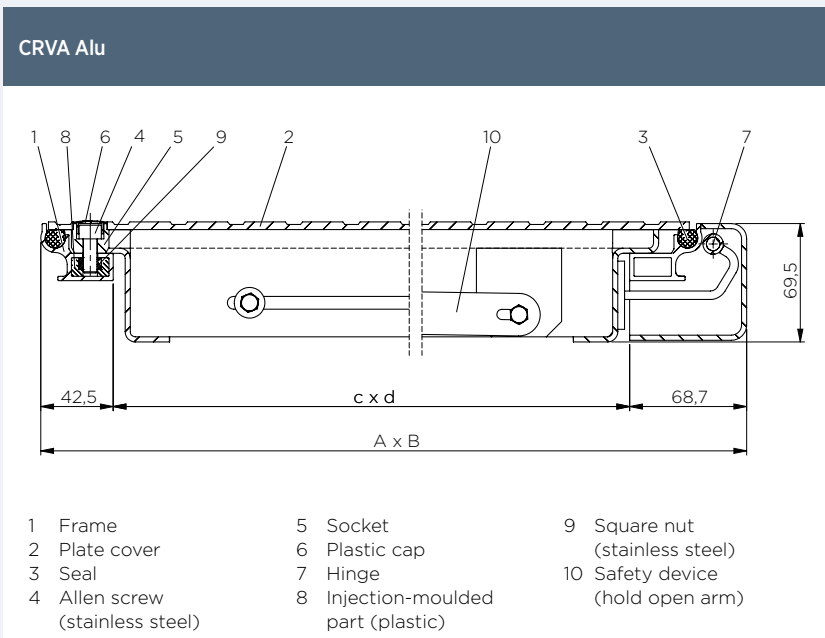
**Material:** Frame made of aluminium extruded sections. Cover made of 3/4,5 mm aluminium chequerplate. Aluminium reinforcement to the underside. Stainless steel screw and EPDM seal.

**Features:** Comfort cover and completely rust-proof. A special seal with good chemical resistance ensures an odor-proof and largely watertight (complete water tightness not guaranteed) solution. Opening tools included. Thanks to the hinge and the low weight of the aluminium plate, the cover can be easily handled by one person without any special efforts. A safety device is fitted, locking the cover in the raised position.

**Applications:** For covers which are opened more frequently and have to be easy to handle. Particularly for inspection and revision covers where corrosion resistance and low weight are a substantial advantage.

**Installation:** Installation must be carried out according to our instructions. With water-tight models, care must be taken to seal the outer frame into the surrounding flooring.

**Specification clause:** [www.hago.at](http://www.hago.at)



Type	Clear dimensions of shaft (≈ cm)	Outside dimensions (≈ cm)	Weight approx.	S / O*
	c x d	A x B		
CRVA 66	60 x 60	68,5 x 71,1	10 kg	S
CRVA 86	80 x 60	88,5 x 71,1	12 kg	O
CRVA 88	80 x 80	88,5 x 91,1	15 kg	S
CRVA 106	100 x 60	108,5 x 71,1	14 kg	O
CRVA 108	100 x 80	108,5 x 91,1	17 kg	O
CRVA 110	100 x 100	108,5 x 111,1	21kg	O

Installation height ≈ 7 cm

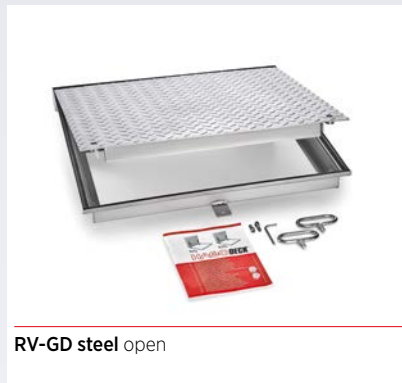
Special sizes possible

\*S = available from stock

\*O = to order



RV-GD steel closed



RV-GD steel open

**Load capacity:** 15 kN test load EN 124.

**Material:** Frame and cover mad of hot-dip galvanized steel or grade 304 or on request grade 316. Highspecifiacion gas struts.

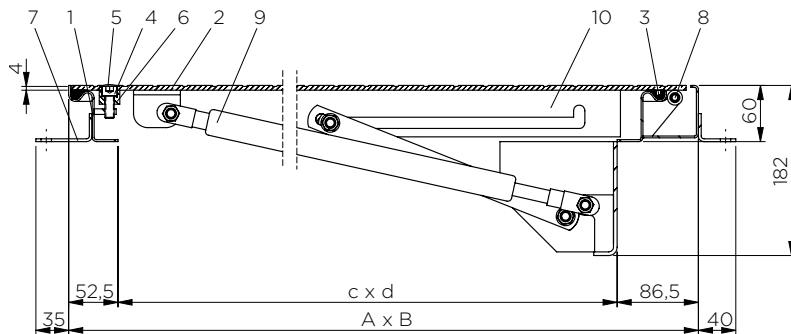
**Features:** Comfort-lift access cover. Smell proof, largely water-tight (not guaranteed to be completely water-tight). EPDM seal. Opening tools included. Opening is assisted by the gas strut(s) to such an extent that the RV-GD cover can be opened and closed by one person. Safety device (hold open arm) fitted to prevent the open cover from closing.

**Applications:** As a cover over installations that need to be opened frequently, without particular effort. Particularly for inspection chambers.

**Installation:** Please study the enclosed installation instructions carefully before installation and pay attention to our specifications. Care must be taken to seal the outer frame into the surrounding flooring. Important note: The gas strut(s) are not installed for transport-related reasons. These should be installed after the cover and frame have been installed in the open position in accordance with our installation instructions.

**Specification clause:** [www.hago.at](http://www.hago.at)

RV-GD steel/RVE-GD stainless steel



- |                      |               |                  |
|----------------------|---------------|------------------|
| 1 Frame              | 5 Plastic cap | 9 Gas strut      |
| 2 Durbar-plate cover | 6 Socket      | 10 Safety device |
| 3 Seal               | 7 Anchor      |                  |
| 4 Allen screw        | 8 Hinge       |                  |

Type	Clear dimensions of shaft (≈ cm)	Outside dimensions (≈ cm)	Weight approx.	S / O*
<b>Galvanised steel</b>				
RV-GD 66	c x d	A x B		
RV-GD 66	60 x 60	70,5 x 73,9	33 kg	S
RV-GD 86	80 x 60	90,5 x 73,9	42 kg	O
RV-GD 88	80 x 80	90,5 x 93,9	52 kg	S
RV-GD 106	100 x 60	110,5 x 73,9	50 kg	O
RV-GD 108	100 x 80	110,5 x 93,9	60 kg	O
RV-GD 110	100 x 100	110,5 x 113,9	72 kg	O
<b>Stainless steel</b>				
RVE-GD 66	60 x 60	70,5 x 73,9	32 kg	O
RVE-GD 86	80 x 60	90,5 x 73,9	41 kg	O
RVE-GD 88	80 x 80	90,5 x 93,9	51 kg	O
RVE-GD 106	100 x 60	110,5 x 73,9	49 kg	O
RVE-GD 108	100 x 80	110,5 x 93,9	59 kg	O
RVE-GD 110	100 x 100	110,5 x 113,9	70 kg	O

Cover depth ≈ 6 cm

**Special sizes possible**

\*S = article available from stock

\*O = article is manufactured on request



# BV-F90 steel BVE-F90 stainless steel

fire resistance class REI 120 (a <-> b), sealed access cover



**BV-F90**  
underside



**BV-F90**  
Detail: grab handle for removing the fire protection panel

**Load capacity:** 125 kN test load EN 124

**Material:** Frame and cover made of 2 mm cold-formed precision steel profiles. hot-dip galvanized or stainless steel grade 1.4301 (grade 1.4571 also available on request). Fire protection panel on stainless steel Z-brackets, EPDM seal and fire resistant seal.

**Features:** Accurately-manufactured smell proof access cover. Tapered design allows easy opening. Virtually invisible when installed. Robust steel mesh reinforcement.

**Fire test certificate:** The Austrian test certificate issued by the Institute for Fire Protection Technology and Safety Research (IBS) confirms that **HAGODECK Type BV-F90 steel** resists a fire for 120 minutes and thus significantly contributes to safety in the event of a fire. In accordance with EN 13501-2, **Type BV-F90 is classified in fire resistance class REI 120 (a <-> b)**.

**The Lift-Off opening system:** Every **HAGODECK Type BV-F90 steel** cover comes with a set of lifting keys and precise installation instructions. After lifting out the cover, the fire protection panel can be removed using its grab handle. The shaft is then accessible without restriction.

**The HAGO advantage:** jammed covers are released by simply turning the Golden Key.

**Applications:** Access covers inside buildings that are required to be fire-resistant.

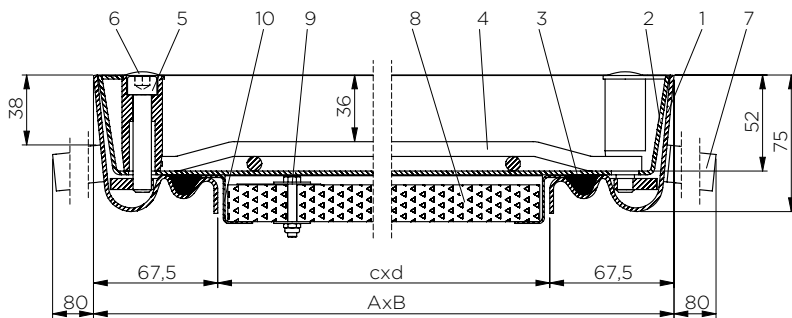
**Installation:** Installation must be carried out according to our instructions. With water-tight models, care must be taken to seal the outer frame into the surrounding flooring.

**Specification clause:** www.hago.at

**Other versions available in fire-proof finish (including test certificate):**

- Multi-part covers (on request)

**BV-F90 steel/BVE-F90 stainless steel**



- 1 Frame
- 2 Cover
- 3 Seal (fire-resistant)
- 4 Reinforcement
- 5 Allen screw
- 6 Plastic cap
- 7 Anchor
- 8 Fire protection panel
- 9 Grab handle with blind rivet
- 10 Stainless steel Z-bracket

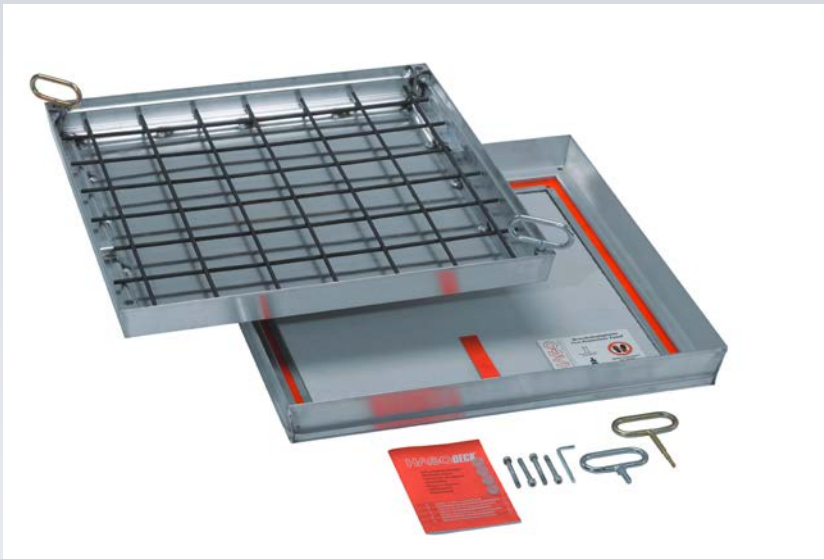
Type	Clear dimensions of shaft (≈ cm)	Outside dimensions (≈ cm)	Weight empty approx.	S / O*
<b>Galvanised steel</b>		c x d	A x B	
BV-F90 33	30 x 30	43,5 x 43,5	13 kg	S
BV-F90 44	40 x 40	53,5 x 53,5	19 kg	S
BV-F90 45	45 x 45	58,5 x 58,5	21 kg	S
BV-F90 55	50 x 50	63,5 x 63,5	23 kg	S
BV-F90 64	60 x 40	73,5 x 53,5	23 kg	S
BV-F90 66	60 x 60	73,5 x 73,5	30 kg	S
BV-F90 635	63,5 x 63,5	77,0 x 77,0	32 kg	S
BV-F90 86	80 x 60	93,5 x 73,5	38 kg	S
BV-F90 88	80 x 80	93,5 x 93,5	45 kg	S
BV-F90 106	100 x 60	113,5 x 73,5	45 kg	S
BV-F90 108	100 x 80	113,5 x 93,5	54 kg	S
BV-F90 110	100 x 100	113,5 x 113,5	63 kg	S
<b>Stainless steel</b>				
BVE-F90 33	30 x 30	43,5 x 43,5	13 kg	S
BVE-F90 44	40 x 40	53,5 x 53,5	19 kg	S
BVE-F90 55	50 x 50	63,5 x 63,5	23 kg	S
BVE-F90 64	60 x 40	73,5 x 53,5	23 kg	S
BVE-F90 66	60 x 60	73,5 x 73,5	30 kg	S
BVE-F90 635	63,5 x 63,5	77,0 x 77,0	32 kg	S
BVE-F90 86	80 x 60	93,5 x 73,5	38 kg	S
BVE-F90 88	80 x 80	93,5 x 93,5	45 kg	S
BVE-F90 106	100 x 60	113,5 x 73,5	45 kg	S
BVE-F90 108	100 x 80	113,5 x 93,5	54 kg	S
BVE-F90 110	100 x 100	113,5 x 113,5	63 kg	S

Cover depth ≈ 5.0 cm, Installation height ≈ 7.5 cm

Special sizes possible

\*S = available from stock \*O = to order





**BVA-F90 Alu**  
underside



**BVA-F90 Alu**  
Detail: grab handle for removing the fire protection panel

**Load capacity:** 125 kN test load EN 124

**Material:** Frame and cover sections in extruded aluminium. Stainless steel screws. Fire protection panel on stainless steel Z-brackets, EPDM seal and fire-resistant seal.

**Features:** Sealed access cover in high-quality finish. Very attractive surface, the visible edges are particularly attractive. Therefore these covers are particularly suitable where a look of elegance is required. Very easy-to-open design. Robust corner joints guarantee a very high degree of rigidity and make it easier to lay tiles and ceramic finishes. EPDM seal. The cover is reinforced with a clamped steel mesh reinforcement.

**Fire test certificate:** The Austrian test certificate issued by the Institute for Fire Protection Technology and Safety Research (IBS) confirms that **HAGODECK Type BVA-F90 alu** resists a fire for 120 minutes and thus significantly contributes to safety in the event of a fire. In accordance with EN 13501-2, **Type BVA-F90 is classified in fire resistance class REI 120 (a <-> b).**

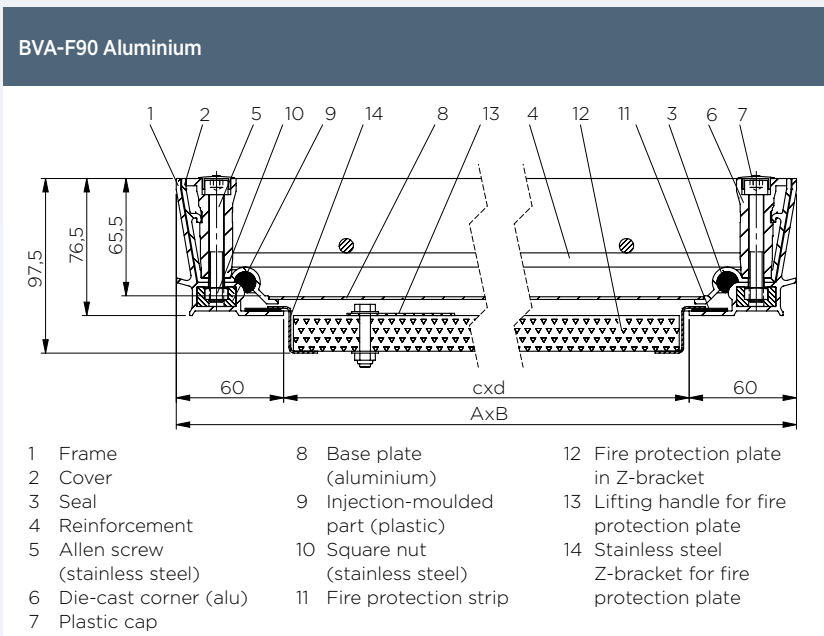
**The Lift-Off opening system:** Every **HAGODECK Type BVA-F90 alu** cover comes with a set of lifting keys and precise installation instructions. After lifting out the cover, the fire protection panel can be removed using its grab handle. The shaft is then accessible without restriction.

**The HAGO advantage:** jammed covers are released by simply turning the Golden Key.

**Applications:** Access covers inside buildings that are required to be fire-resistant.

**Installation:** Installation must be carried out according to our instructions. With water-tight models, care must be taken to seal the outer frame into the surrounding flooring.

**Specification clause:** www.hago.at



Type	Clear dimensions of shaft (≈ cm)	Outside dimensions (≈ cm)	Weight empty approx.	S / O*
	c x d	A x B		
BVA-F90 22	20 x 20	32 x 32	4 kg	S
BVA-F90 33	30 x 30	42 x 42	7 kg	S
BVA-F90 44	40 x 40	52 x 52	11 kg	S
BVA-F90 45	45 x 45	57 x 57	12 kg	S
BVA-F90 55	50 x 50	62 x 62	14 kg	S
BVA-F90 64	60 x 40	72 x 52	14 kg	S
BVA-F90 66	60 x 60	72 x 72	17 kg	S
BVA-F90 635	63,5 x 63,5	75,5 x 75,5	18 kg	S
BVA-F90 77	70 x 70	82 x 82	21 kg	S
BVA-F90 86	80 x 60	92 x 72	21 kg	S
BVA-F90 88	80 x 80	92 x 92	26 kg	S
BVA-F90 106	100 x 60	112 x 72	26 kg	S
BVA-F90 108	100 x 80	112 x 92	34 kg	S
BVA-F90 110	100 x 100	112 x 112	39 kg	S

**Cover depth** = 6.6 cm

**Installation depth:** ≈ 7.6 cm

**Special sizes possible**

\*S = article available from stock

\*O = article is manufactured on request



**BV-GD-F90**



**BV-GD-F90**

Detail: grab handle for removing the fire protection panel

**Load capacity:** 125 kN test load EN 124

**Material:** Frame and cover made of 2 mm cold-formed precision steel profiles, hot-dip galvanised. Or in grade 304 stainless steel, passivated (on request also available in grade 316 stainless steel). High-specification gas strut(s). Fire protection panel, EPDM seal and fire-resistant seal.

**Features:** Comfort-lift access cover. Smell proof. Opening tools included. Opening is assisted by the gas strut(s) to such an extent that the BV-GD-F90/BVE-GD-F90 cover can be opened and closed by one person. Safety device (hold open arm) fitted to prevent the open cover from closing.

**Fire test certificate:** The Austrian test certificate issued by the Institute for Fire Protection Technology and Safety Research (IBS) confirms that **HAGODECK Type BV-F90 steel galv.** and **BVE-GD-F90 stainless steel** resists a fire for 120 minutes and thus significantly contributes to safety in the event of a fire. In accordance with EN 13501-2, **Type BV-GD-F90 and BVE-GD-F90 is classified in fire resistance class REI 120 (a <-> b).**

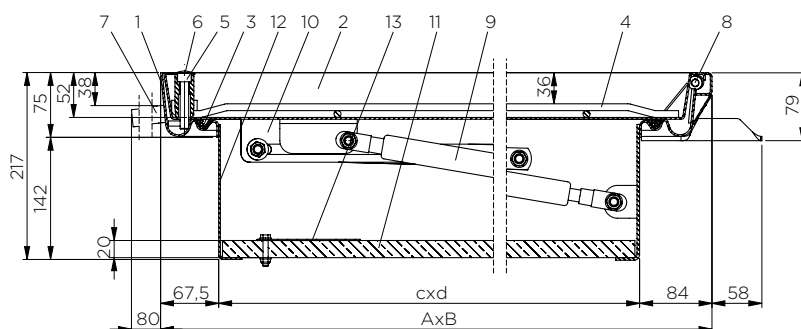
**Applications:** Access covers inside buildings that are required to be fire-resistant and that need to be opened frequently, without particular effort.

**Installation:** Please study the enclosed installation instructions carefully before installation and pay attention to our specifications. Care must be taken to seal the outer frame into the surrounding flooring.

**Important note:** The gas strut(s) are not installed for transport-related reasons. These should be installed after the cover and frame have been installed and filled (concrete must be set), in the open position in accordance with our installation instructions.

**Specification clause:** www.hago.at

**BV-GD-F90 steel/BVE-GD-F90 stainless steel**



- |                 |                          |   |
|-----------------|--------------------------|---|
| 1 Frame         | 7 Anchor                 | 12 Stainless steel Z-bracket                |
| 2 Cover         | 8 Hinge                  | 13 Lifting handle for fire protection plate |
| 3 Seal          | 9 Gas strut              |   |
| 4 Reinforcement | 10 Safety device         |   |
| 5 Allen screw   | 11 Fire protection plate |   |
| 6 Plastic cap   |                          |   |

Type	Clear dimensions of shaft (≈ cm)	Outside dimensions (≈ cm)	Weight empty approx.	S / O*
<b>Galvanised steel</b>		c x d	A x B	
BV-GD-F90 66	60 x 60	73,5 x 75,15	37 kg	S
BV-GD-F90 86	80 x 60	93,5 x 75,15	44 kg	S
BV-GD-F90 88	80 x 80	93,5 x 95,15	50 kg	S
BV-GD-F90 106	100 x 60	113,5 x 75,15	49 kg	O
BV-GD-F90 110	100 x 100	113,5 x 115,15	66 kg	S
<b>Stainless steel</b>				
BVE-GD-F90 66	60 x 60	73,5 x 75,15	39 kg	O
BVE-GD-F90 86	80 x 60	93,5 x 75,15	45 kg	O
BVE-GD-F90 88	80 x 80	93,5 x 95,15	52 kg	O
BVE-GD-F90 106	100 x 60	113,5 x 75,15	52 kg	O
BVE-GD-F90 110	100 x 100	113,5 x 115,15	69 kg	O

**Cover depth** = 5,0 cm

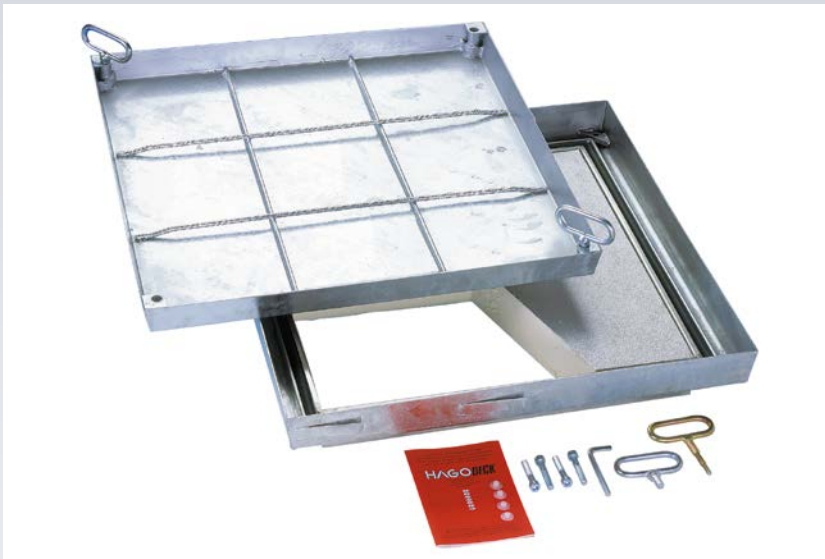
**Installation depth** = 7,5 cm

**Total height** = 21,7 cm

**Special sizes possible**

\*S = article available from stock

\*O = article is manufactured on request



**Load capacity:** 125 kN test load EN 124 (see also pages 3 and 38).

**Material:** Frame and cover in 2 mm cold-formed precision steel profiles. As an alternative also in stainless steel grade SS 304 (on request also available in grade 316). Hot-dip galvanised. Insulated version, consisting of: Z-brackets, EPDM seal, polyurethane rigid foam insulation panel coated with aluminium on both sides.

**Thermal resistance = 3.6 m<sup>2</sup> K/W**

**Thermal coefficient 0.27 W/m<sup>2</sup>K**

**Features:** Sealed cover with inlaid insulation panel. Tapered design allows easy opening. Virtually invisible when installed. Robust steel mesh reinforcement.

**The Lift-Off opening system:** Every HAGODECK Type BV thermo cover comes with a set of lifting keys and precise installation instructions.

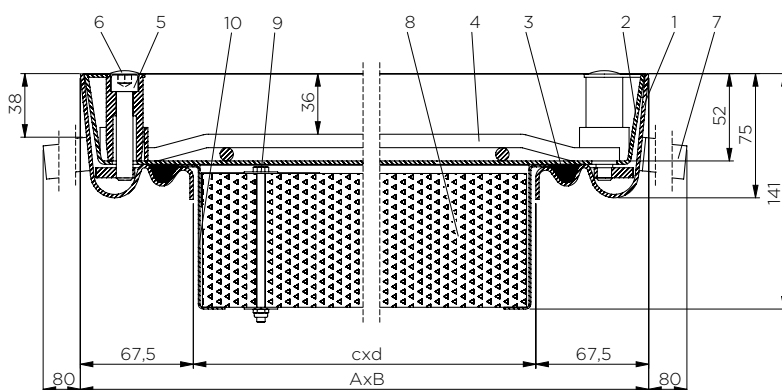
**The HAGO advantage:** jammed covers are released by simply turning the Golden Key.

**Applications:** For areas inside buildings where a cover with insulation properties is required.

**Installation:** Installation must be carried out according to our instructions. With water-tight models, care must be taken to seal the outer frame into the surrounding flooring.

**Specification clause:** www.hago.at

BV Thermo steel/BVE Thermo stainless steel



- |                 |                                 |                                       |
|-----------------|---------------------------------|---------------------------------------|
| 1 Frame         | 6 Plastic cap                   | 9 Lifting handle for insulation plate |
| 2 Cover         | 7 Anchor                        | 10 Alu Z-bracket                      |
| 3 Seal          | 8 Insulation plate in Z-bracket |                                       |
| 4 Reinforcement |                                 |                                       |
| 5 Allen screw   |                                 |                                       |

Type	Clear dimensions of shaft (≈ cm)	Outside dimensions (≈ cm)	Weight empty approx.	S / O*
<b>Galvanised steel</b>	c x d	A x B		
BV-Thermo 55	50 x 50	63,5 x 63,5	19 kg	S
BV-Thermo 64	60 x 40	73,5 x 53,5	19 kg	S
BV-Thermo 66	60 x 60	73,5 x 73,5	23 kg	S
BV-Thermo 86	80 x 60	93,5 x 73,5	29 kg	S
BV-Thermo 88	80 x 80	93,5 x 93,5	33 kg	S
BV-Thermo106	100 x 60	113,5 x 73,5	33 kg	S
BV-Thermo108	100 x 80	113,5 x 93,5	39 kg	S
BV-Thermo110	100 x 100	113,5 x 113,5	45 kg	S
<b>Stainless steel</b>				
BVE-Thermo 55	50 x 50	63,5 x 63,5	19 kg	S
BVE-Thermo 64	60 x 40	73,5 x 53,5	19 kg	S
BVE-Thermo 66	60 x 60	73,5 x 73,5	23 kg	S
BVE-Thermo 86	80 x 60	93,5 x 73,5	29 kg	S
BVE-Thermo 88	80 x 80	93,5 x 93,5	33 kg	S
BVE-Thermo 106	100 x 60	113,5 x 73,5	33 kg	S
BVE-Thermo 108	100 x 80	113,5 x 93,5	39 kg	S
BVE-Thermo 110	100 x 100	113,5 x 113,5	45 kg	S

**Cover depth** ≈ 5.0 cm

**Installation height** ≈ 7.5 cm

**Insulation panel penetrates** ≈ 8 cm into the shaft.

**Special sizes possible**

\*S = available from stock

\*O = to order



BVA Thermo Alu

**Load capacity:** 125 kN test load EN 124

**Material:** Frame and cover sections in extruded aluminium. Stainless steel screws. Insulated version, consisting of: Z-brackets, EPDM seal, polyurethane rigid foam insulation panel coated with aluminium on both sides.

**Thermal resistance = 3.60 m<sup>2</sup> K/W,**  
**Thermal coefficient 0.27 W/m<sup>2</sup>K**

**Features:** Sealed access cover in high-quality finish with inlaid insulation panel. Very attractive surface, the visible edges are particularly attractive. Therefore these covers are particularly suitable where a look of elegance is required. Very easy-to-open design. Robust corner joints guarantee a very high degree of rigidity and make it easier to lay tiles and ceramic finishes. EPDM seal. The cover is reinforced with a clamped steel mesh reinforcement.

**The Lift-Off opening system:** Every HAGODECK Type BVA thermo alu cover comes with a set of lifting keys and clear installation instructions.

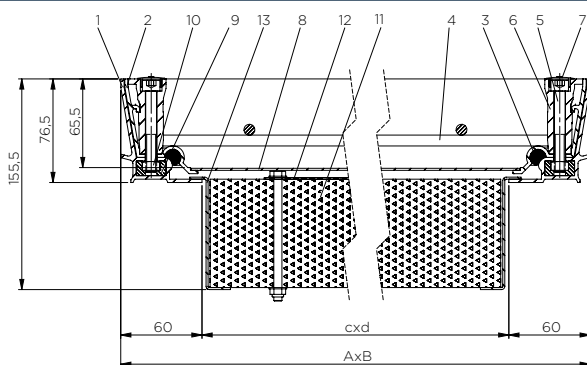
**The HAGO advantage:** jammed covers are released by simply turning the Golden Key.

**Applications:** Inside buildings where it is important to obtain a nice visual effect and where a cover with insulation properties is required. Also, in places where floor finishes may need polishing after fixing or where particular attention needs to be given to corrosion resistance.

**Installation:** Installation must be carried out according to our instructions. With water-tight models, care must be taken to seal the outer frame into the surrounding flooring and to fill the cover with water-tight concrete.

**Specification clause:** www.hago.at

BVA thermo alu



- |                                 |                                    |  |
|---------------------------------|------------------------------------|--|
| 1 Frame                         | 7 Plastic cap                      | 11 Insulation plate in Z-bracket       |
| 2 Cover                         | 8 Base plate                       | 12 Lifting handle for insulation plate |
| 3 Seal                          | 9 Injection-moulded part (plastic) | 13 Alu Z-bracket                       |
| 4 Reinforcement                 | 10 Square nut (stainless steel)    |  |
| 5 Allen screw (stainless steel) |                                    |  |
| 6 Die-cast corner (alu)         |                                    |  |

Type	Clear dimensions of shaft (≈ cm)	Outside dimensions (≈ cm)	Weight empty approx.	S / O*
	c x d	A x B		
BVA thermo 22	20 x 20	32 x 32	3 kg	O
BVA thermo 33	30 x 30	42 x 42	5 kg	O
BVA thermo 44	40 x 40	52 x 52	8 kg	S
BVA thermo 45	45 x 45	57 x 57	9 kg	O
BVA thermo 55	50 x 50	62 x 62	10 kg	S
BVA thermo 64	60 x 40	72 x 52	10 kg	S
BVA thermo 66	60 x 60	72 x 72	12 kg	S
BVA thermo 635	63,5 x 63,5	75,5 x 75,5	12 kg	O
BVA thermo 77	70 x 70	82 x 82	14 kg	O
BVA thermo 86	80 x 60	92 x 72	14 kg	S
BVA thermo 88	80 x 80	92 x 92	22 kg	S
BVA thermo 106	100 x 60	112 x 72	17 kg	S
BVA thermo 108	100 x 80	112 x 92	31 kg	S
BVA thermo 110	100 x 100	112 x 112	26 kg	S

**Installation depth:** ≈ 6.6 cm  
**Installation height** ≈ 7.6 cm  
**Insulation panel penetrates** ≈ 7.9 cm into the shaft  
**Special sizes possible**  
 \*S = article available from stock \*O = to order



Cover removed



Removing a cross-beam



inserting a tray

**Load capacity:** 125 kN test load EN 124 when completely filled with concrete C35/45 (EN 206-1).

**Material:** In Type **BV-RA** frame, cover and cross-beam in 2 mm cold-formed precision steel profiles. Hot-dip galvanised. In Type **BVE-RA** frame, cover and cross-beam made of grade 304 stainless steel (on request also available in grade 316 stainless steel). EPDM seal.

**Features:** Smell proof, largely water-tight multi-part cover (Not guaranteed to be completely water-tight). The cross-beams can be removed without tools, to give clear access to the entire duct. This gives clear access to the duct when retrofitting pipes or during repair work.

**Versions:** In addition to the standard cover height (approx. 50 mm), a deep cover version (approx. 100 mm) is available. Ideal for infill with paviers.

**The Lift-Off opening system:** Every **HAGODECK Type BV(E)-RA** cover comes with a set of lifting keys and precise installation instructions.

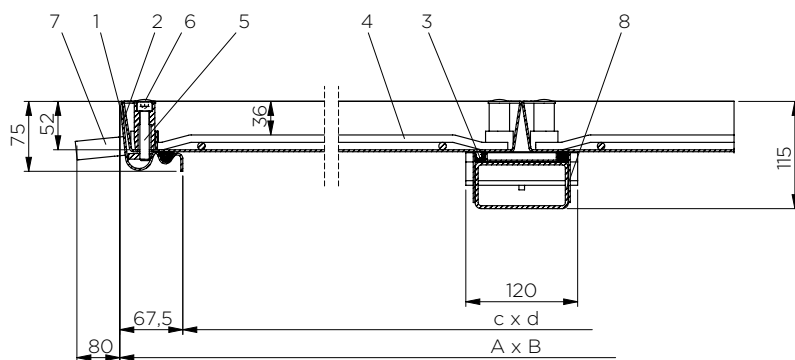
**The HAGO advantage:** jammed covers are released by simply turning the Golden Key.

**Applications:** Ideal cover for supply and disposal ducts in the industrial and workshop sector, e.g. for energy, water and compressed air supply.

**Installation:** Installation must be carried out according to our instructions. With water-tight models, care must be taken to seal the outer frame into the surrounding flooring.

**Specification clause:** [www.hago.at](http://www.hago.at)

**BV-RA multi steel/BVE-RA multi stainless steel**



- |         |                 |                        |
|---------|-----------------|------------------------|
| 1 Frame | 4 Reinforcement | 7 Anchor               |
| 2 Cover | 5 Allen screw   | 8 Removable cross beam |
| 3 Seal  | 6 Plastic cap   |                        |



BVA-RA  
before installation

**Load capacity:** 125 kN test load EN 124 when completely filled with concrete C35/45 (EN 206-1).

**Material:** Frame and cover sections in extruded aluminium.

**Features:** BVA-RA alu largely sealed (design similar to BVA): New modular system with huge advantages. The frames are joined lengthways to special connecting elements. For larger covers (from a length of approximately 3 m), the HAGODECK multi-part cover is delivered disassembled, ready for assembly on site. Patented cross-beams: The cross-beams can be easily removed without tools, to give clear access to the entire duct. Cross-beams are easy to insert and fix in place. They can be taken out again very easily if the entire duct needs to be freely accessible, e.g. when retrofitting pipes or when undertaking repair work in the duct.

**The Lift-Off opening system:** Every HAGODECK Type BVA-RA alu cover comes with a set of lifting keys and precise installation instructions. The HAGODECK advantage: jammed covers are released by simply turning the Golden Key.

**Sealed cover:** HAGODECK Type BVA-RA alu is largely sealed. Since multi-part covers are often complex or more difficult to install, water ingress can occur if there is constant stress due to rain, melt water or wet conditions. (Not guaranteed to be completely watertight.)

In all cases please consult our technical advisers if your multi-part cover needs to be completely sealed. In these cases, we will usually find a solution by taking additional measures and providing specific installation instructions.

**Applications:** Ideal cover for supply and disposal ducts in the industrial and workshop sector, e.g. for energy, water and compressed air supply.

**Installation:** Installation must be carried out according to our instructions. With water-tight models, care must be taken to seal the outer frame into the surrounding flooring.

**Specification clause:** [www.hago.at](http://www.hago.at)

Type	Clear dimensions of shaft (≈ cm)	Outside dimensions (≈ cm)	Weight empty approx.	S / O*
	c x d	A x B		
BVA-RA multi 2part	60 x 132	72 x 144	23 kg	S
BVA-RA multi 3part	60 x 203	72 x 215	32 kg	S
BVA-RA multi 2part	80 x 172	92 x 184	33 kg	S
BVA-RA multi 3part	80 x 263	92 x 275	47 kg	S

Cover depth ≈ 6.6 cm

Installation height ≈ 7.6 cm

Cross-beams penetrate ≈ 12.5 cm into the shaft.

**These 4 standard sizes (additional designation: multi) are in stock. Otherwise, Type BVA-RA is manufactured according to your size specifications.**

\*S = available from stock \*O = to order



**BVA-RA multi-part cover**  
in the Viniculture museum in Krems (supply shaft)



Detail: **junction**

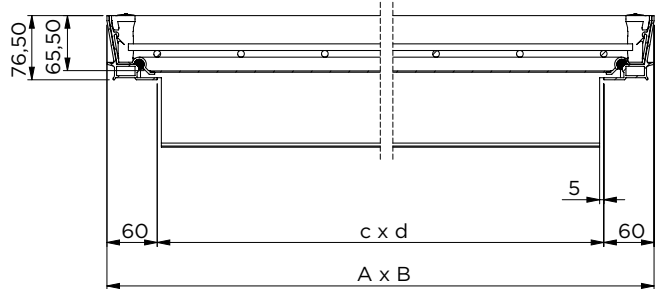
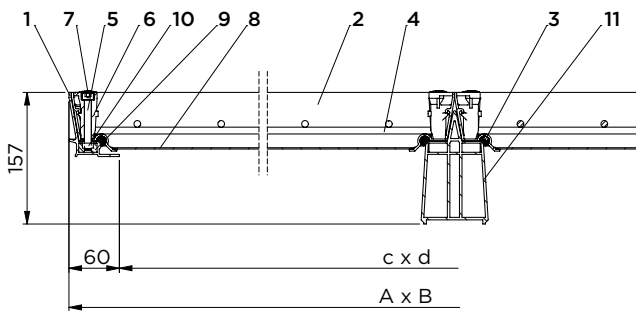


**Multi-part cover** for cable duct



Detail: **cross-beam**

**BVA-RA multi alu**



- |         |                                 |                          |                                 |
|---------|---------------------------------|--------------------------|---------------------------------|
| 1 Frame | 4 Reinforcement                 | 7 Plastic cap            | (plastic)                       |
| 2 Cover | 5 Allen screw (stainless steel) | 8 Base plate             | 10 Square nut (stainless steel) |
| 3 Seal  | 6 Die-cast corner (alu)         | 9 Injection-moulded part | 11 Removable cross beam         |



**Load capacity:** 15 kN test load EN 124

**Material:** Frame made of aluminium extruded sections. Cover made of 3/4,5 mm aluminium chequerplate. Aluminium reinforcement on the underside. Stainless steel screws. Good chemical resistant seal

**Features: RVA-RA Alu in largely sealed design (construction similar to RVA):** New modular design with enormous advantages. The frames are connected with cross-beams elements in the longitudinal direction. For larger covers (from a length of approx. 3 m) the HAGODECK multi access cover is delivered disassembled and again assembled on site. **Patent cross-beam system:** The system of intermediate webs (cross beam) is registered with patent. The cross-beams are simply inserted and fixed. They can be easily removed again without effort when the the shaft must be freely accessible along its entire length, e.g. for the subsequent installation of pipelines or for pipelines or for repair work in the manhole.

**The Lift-Off opening system:** Every HAGODECK Type RVA-RA alu cover comes with a set of lifting keys and precise installation instructions.

**Odor and waterproof:** HAGODECK Type RVA-RA convinces by its low weight. Carefully sealed with EPDM seals. Complete water tightness not guaranteed!

**Applications:** Due to the low weight and high corrosion resistance, the RVA-RA is the ideal cover for supply and disposal channels.

**Installation:** Installation must be carried out according to our instructions. With water-tight models, care must be taken to seal the outer frame into the surrounding flooring.

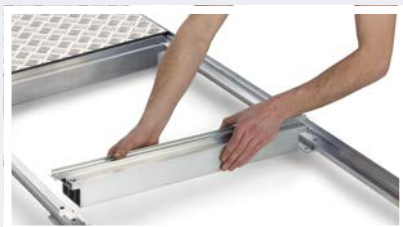
**Specification clause:** [www.hago.at](http://www.hago.at)



RVA-RA

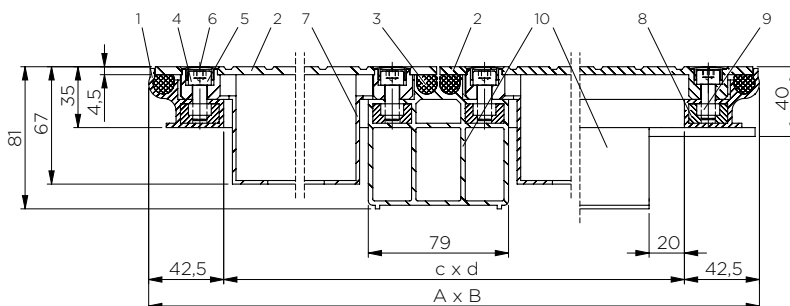


removed cover



removable cross-beam

RVA-RA Alu



- |               |                           |               |
|---------------|---------------------------|---------------|
| 1 Frame       | 5 sleeve                  | 8 plastic cap |
| 2 Cover       | 6 plastic cap             | 9 square nut  |
| 3 Seal        | 7 reinforced chequerplate | 10 cross-beam |
| 4 Allen screw |                           |               |





**Load capacity:** 15 kN test load EN 124

**Material:** Frame, Plate and cross-beam made of steel galvanized steel or stainless steel grade SS 304 (on request grade SS 316 also available). Reinforcement made of galvanized steel or stainless steel. Good chemical resistant seal.

**Features: RV(E)-RA in largely sealed design (construction similar to RVA):** The frames are connected with cross-beams elements in the longitudinal direction. For larger covers (from a length of approx. 3 m) the HAGO multi access cover is delivered disassembled and again assembled on site. Not guaranteed to be completely watertight

**The Lift-Off opening system:** Every HAGODECK Type RV(E)-RA cover comes with a set of lifting keys and precise installation instructions.

**Applications:** RV(E)-RA multipart access cover is the ideal cover for supply and disposal channels.

**Installation:** Installation must be carried out according to our instructions.

**Specification clause:** [www.hago.at](http://www.hago.at)



RVE-RA

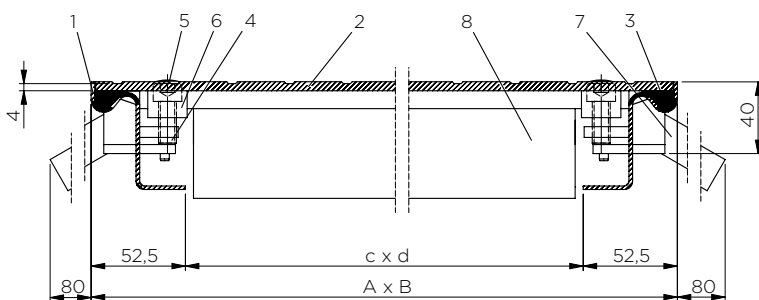


removed cover



removable cross-beam

RV-RA steel/ RVE-RA stainless steel



- |                |               |                        |
|----------------|---------------|------------------------|
| 1 Frame        | 4 allen screw | 7 Anchor               |
| 2 Durbar-plate | 5 plastic cap | 8 removable cross-beam |
| 3 Seal         | 6 sleeve      |                        |

**Should the joints around the access cover be grouted with silicone?**

For models with gas struts, silicone grouting is required. With all other models, grouting with silicone around the frame is a neat solution but is not absolutely necessary.

**Can I fill HAGO covers with asphalt?**

**HAGO** covers with standard installation depth should never be filled with asphalt.

If you require an asphalt surface, please use our models with a 10 cm high cover (BVH-maxi, BVH-GD-maxi, BVHS 250/400). In this case, the cover has to be filled with approx. 7 cm of concrete, the rest can be filled with asphalt.

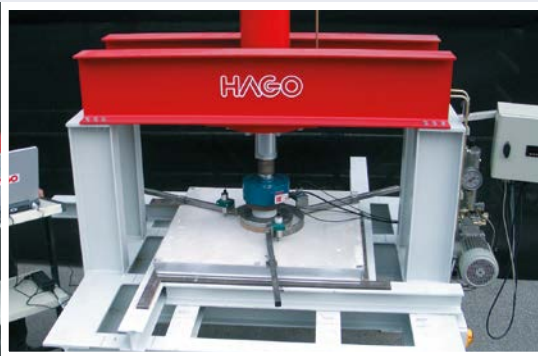
**Does “125 kN test load” mean that the HAGO cover can be subjected to a wheel load of 125 kN (12.5t) or to a load of 125 kN (12.5t) per square metre?**

A very important question, as “125 kN test load” or “B 125” refers to neither the wheel load nor to the load capacity per square metre. The basis is the European Standard EN 124. It divides possible installation locations of access covers into 6 groups. Group 2 includes: footways, pedestrian zones, car parks or car parking decks.

For these areas (Group 2), the Standard provides for the installation of access covers of class B 125 (125 kN test load). Access covers are classified as B 125 with regard to load capacity if no cracks (in simplified terms) are produced by up to 125 kN force on the test rig (25 cm diameter block).

This test procedure according to EN 124 thus serves to classify access covers. HAGO access covers should, however, never be subjected to the indicated test load in normal usage.

The European Standard EN 124 does not give a direct indication of the actually possible load in kN or tonnes. However, as a rough guideline it can be said that HAGO covers with “125 kN test load” - when fully filled with grade C 35/45 concrete - can be slowly driven over with a maximum 3 tonnes wheel load (air-inflated tyres). That corresponds to the maximum wheel loads which can be expected in car parks or car parking decks.

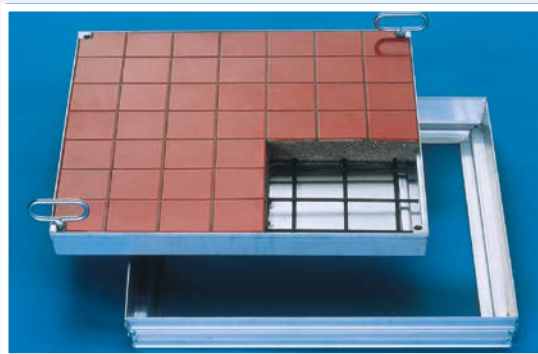


**How does the load capacity change if HAGO access covers are not completely filled with concrete, but the surface is covered with tiles/blocks or a floor finish (1-2 cm)?**

In this case, the load capacity is reduced depending on the thickness and type of the floor finish.

For normal loading in pedestrian areas, HAGO access covers are of course also suitable when filled with blocks, tiles etc. However, the thickness of the floor finish should not exceed 2 cm.

When filling with blocks, if particular requirements are specified for the load capacity (vehicles, heavy machinery), please ask for our advice.



**Can square access covers be installed onto a round shaft opening?**

No problem, just make a square concrete rim around the round opening. This has to correspond to at least the outside dimensions of the access cover.

**What has to be done when installing HAGO access covers to ensure watertightness?**

**Cover:** In our sealed versions in steel or stainless steel, the cover is already designed to be watertight. In our fillable aluminium covers (e.g. BVA), the base plate is only spot-welded for technical reasons (distortion). Here it is important that the concrete infill provides a seal (concrete should be shaken and well-compressed), if the cover is to be optimally watertight.

**Frame:** With water-tight models, care must be taken to seal the outside of the frame into the surrounding flooring (use concrete with waterproofing additives). If the covers are to be installed in areas where a high degree of watertightness is required, please always ask for our advice.

**Can HAGO covers be concreted directly into in-situ concrete floors?**

When fitting directly into industrial floors, it must be noted that these expand. If necessary fit flexible spacers (min. width 10 mm) around the outside of the frame. These can be removed when the floor has hardened. The resulting gap can subsequently be filled with the most suitable flexible material.

**How frequently should the seals on HAGO access covers be renewed?**

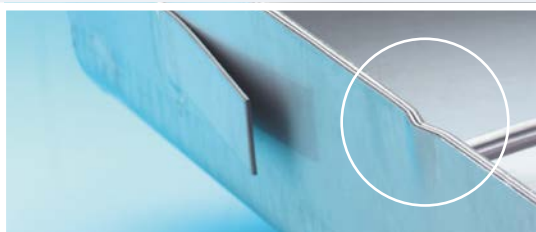


Our EPDM seals are very long-lasting when used appropriately. However, if watertightness is an important criterion for you, we would request you to consider the seals to be a part which is subject to wear and tear, and to check their condition regularly.

If the cover is opened and closed particularly often (e.g. models with gas struts), or if the seal is subjected to dirt, its lifespan is reduced.

If your seal appears damaged or no longer flexible, we recommend that you order a replacement seal from HAGO (giving details of the cover model and size). Replacement seals are always delivered with suitable glue and instructions for changing the seal.

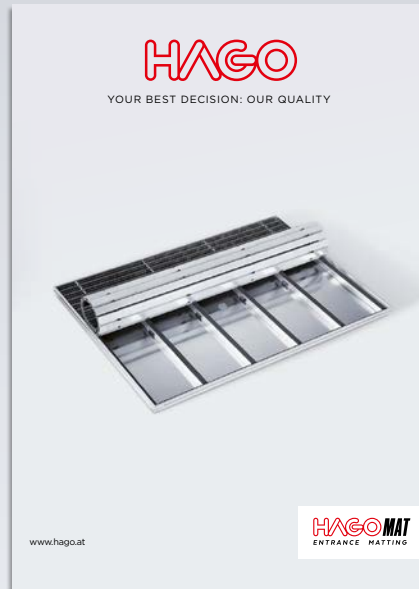
**Some HAGO access covers have a small notch on one side (of the cover and frame). What is this for?**



This notch is found on our steel or stainless steel covers without hinges.

We produce our covers with very little tolerance and gap dimensions. The cover and frame are then (after galvanising or passivating) optimally realigned. The notch serves as a marker, so that this optimal fit is not later lost by placing the cover into the frame the wrong way. For an optimal fit, the notch in the cover should find the notch in the frame! The HAGO notch is seen today as a sign of quality.

## OTHER HAGO PRODUCTS



# HAGO

YOUR BEST DECISION: OUR QUALITY

### HAGO BAUTECHNIK GMBH

Traklstraße 19  
4600 Wels/Austria

T +43 7242 66 341  
E office@hago.at

[www.hago.at](http://www.hago.at)