



**Application:** The HAGOlifter PRO is the lifting device for professionals, suitable for **HAGO** access covers without hinges. Even heavy and high covers can be lifted and moved effortlessly without exertion.

In addition, we have two special types in our program. The HAGOlifter-WALL for low wall clearance and the HAGOlifter-XH for extra high covers.

**Scope of delivery:**

The HAGOlifter PRO is delivered as a complete set consisting of:

- 2 pcs. Lifting unit (painted red) with aluminium wheels
- 2 pcs. Fixing screws M10 (for HAGO access covers made of aluminium)
- 2 pcs. Fixing screws M12 (for HAGO access covers made of galvanized and stainless steel)
- 2 pcs. Rubber protection plates (to place on sensitive floors)



1 Screw in the delivered fixing screws.

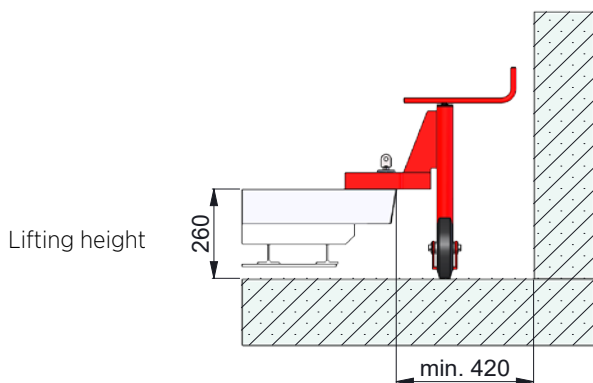


2 Simply operate the crank and the manhole cover will be lifted.



3 Roll the manhole cover to the side.

HAGOlifter PRO



Type	Lifting height	Weight per lifting unit
HAGOlifter HL-26 PRO	26 cm	12 kg