



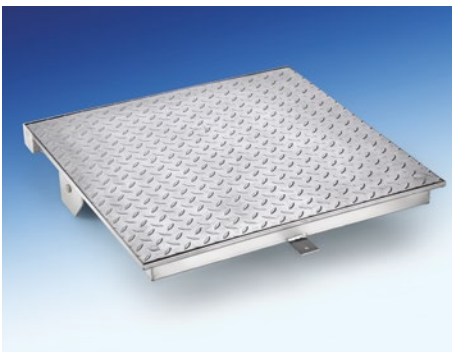
**Load capacity:** 15 kN test load EN 124.

**Material:** Frame made of 2 mm cold formed precision steel profiles. Hot dip galvanised. Durbar-plate cover. High-specification gas struts.

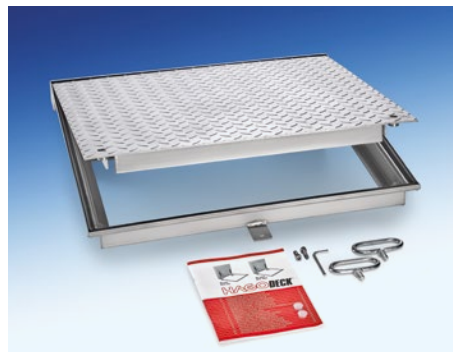
**Features:** Comfort-lift access cover. Smell proof, largely water-tight (not guaranteed to be completely water-tight). EPDM seal. Opening tools included. Opening is assisted by the gas strut(s) to such an extent that the RV-GD cover can be opened and closed by one person. Safety device (hold open arm) fitted to prevent the open cover from closing.

**Applications:** As a cover over installations that need to be opened frequently, without particular effort. Particularly for inspection chambers.

**Installation:** Please study the enclosed installation instructions carefully before installation and pay attention to our specifications. Care must be taken to seal the outer frame into the surrounding flooring. Important note: The gas strut(s) are not installed for transport-related reasons. These should be installed after the cover and frame have been installed in the open position in accordance with our installation instructions.



RV-GD steel

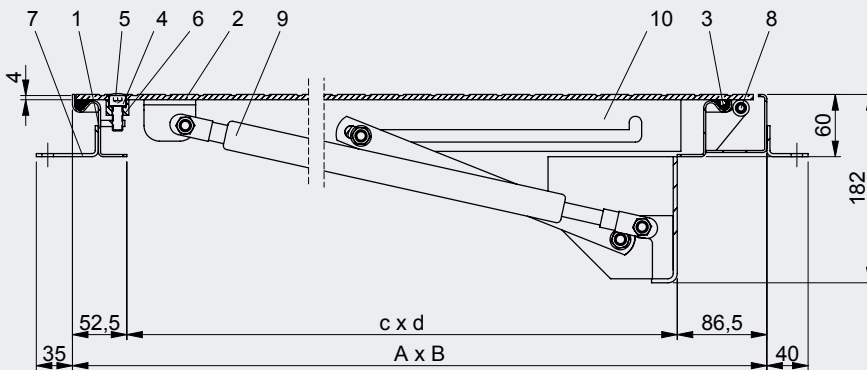


RV-GD steel



**Specification clause:** [www.hago.at](http://www.hago.at)

### Type RV-GD steel



- |                      |                  |
|----------------------|------------------|
| 1 Frame              | 6 Socket         |
| 2 Durbar-plate cover | 7 Anchor         |
| 3 Seal               | 8 Hinge          |
| 4 Allen screw        | 9 Gas strut      |
| 5 Plastic cap        | 10 Safety device |

Typ	Clear dimensions of shaft (≈ cm)	Outside dimensions (≈ cm)	Weight empty approx.	S/O*
	c x d	A x B		
RV-GD 66	60 x 60	70,5 x 73,9	32 kg	S
RV-GD 86	80 x 60	90,5 x 73,9	41 kg	O
RV-GD 88	80 x 80	90,5 x 93,9	49 kg	S
RV-GD 106	100 x 60	110,5 x 73,9	47 kg	O
RV-GD 108	100 x 80	110,5 x 93,9	58 kg	O
RV-GD 110	100 x 100	110,5 x 113,9	67 kg	O

Cover depth ≈ 6 cm

Special sizes possible

\*S = article available from stock

\*O = article is manufactured on request